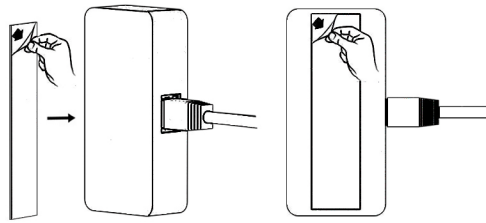
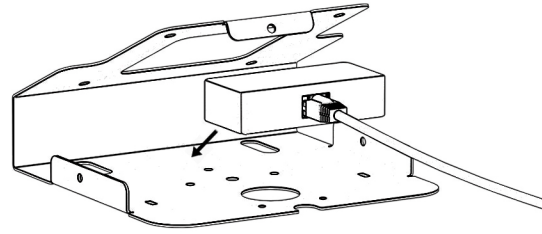


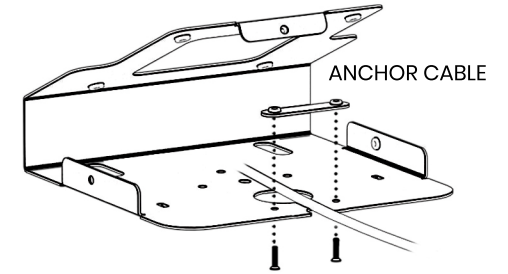
0 IF YOU USE POE



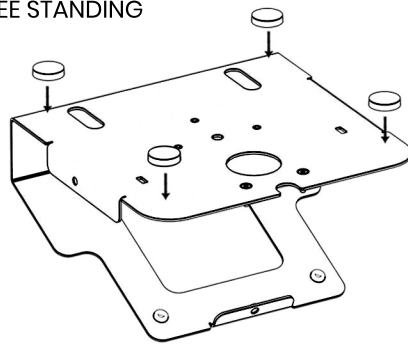
PLACE HERE



1

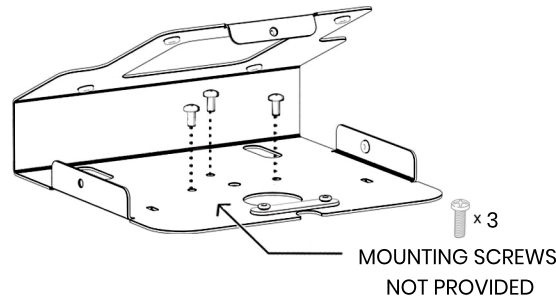


2.1 FREE STANDING



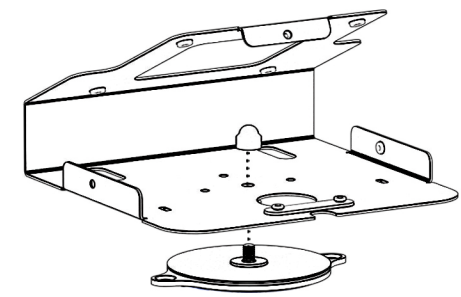
2.2 TABLE MOUNTED

or

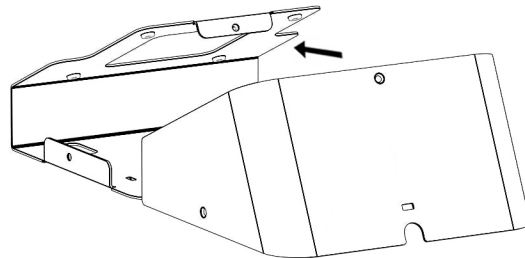


2.3 SWIVEL BASE (optional add on)

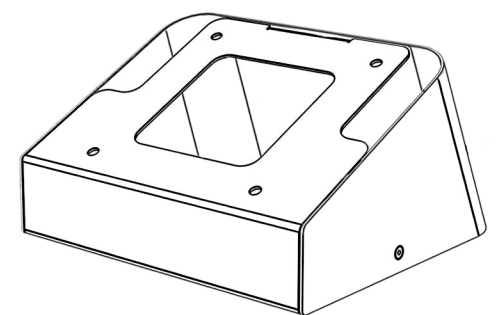
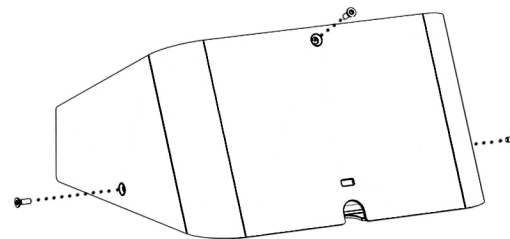
or



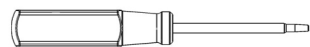
5



6



IN THE BOX



Screwdriver



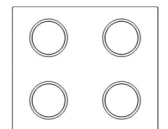
Tamper proof screws



Enclosure mounting screws



Tape-double sided



Bumper legs pack