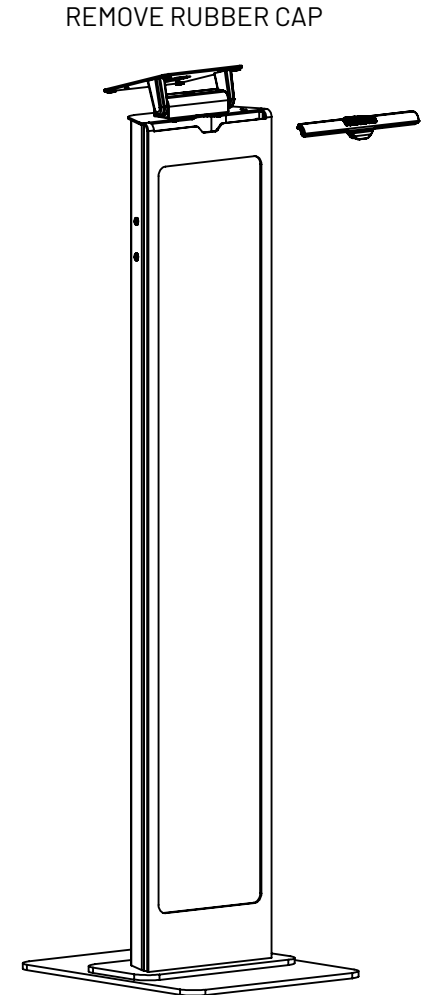
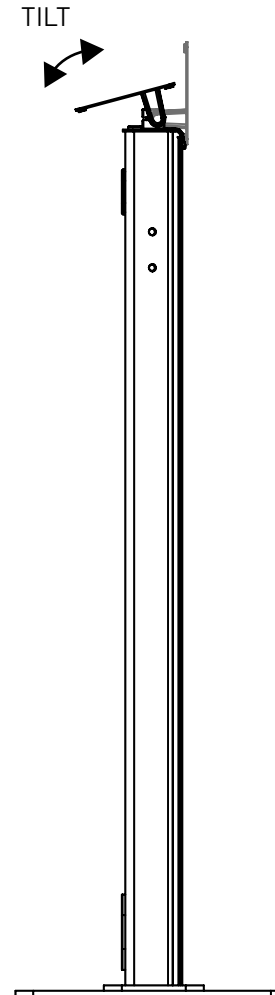
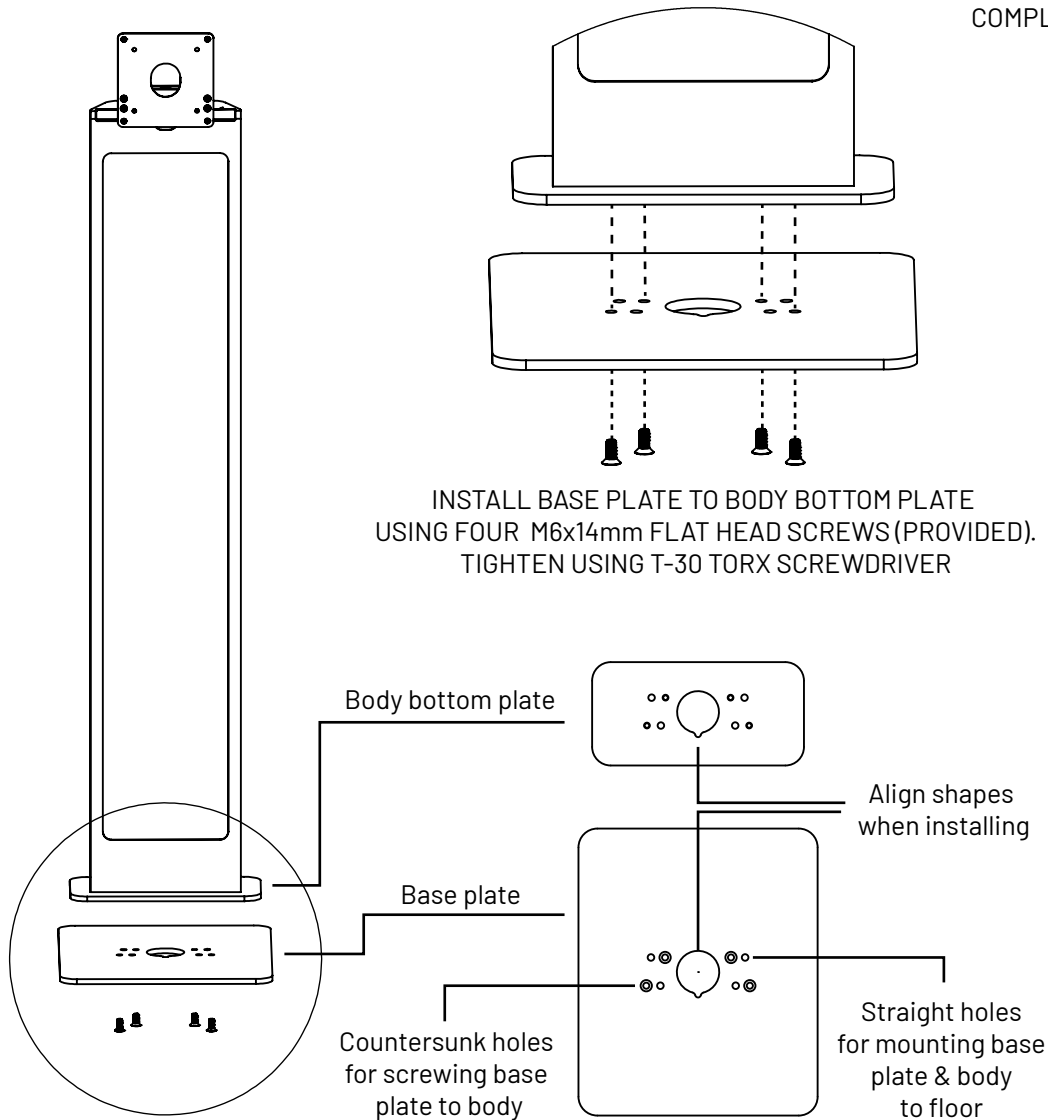


1 Floor Mounting Option - Freestanding

1A Floor Mounting Option - Bolt To Floor

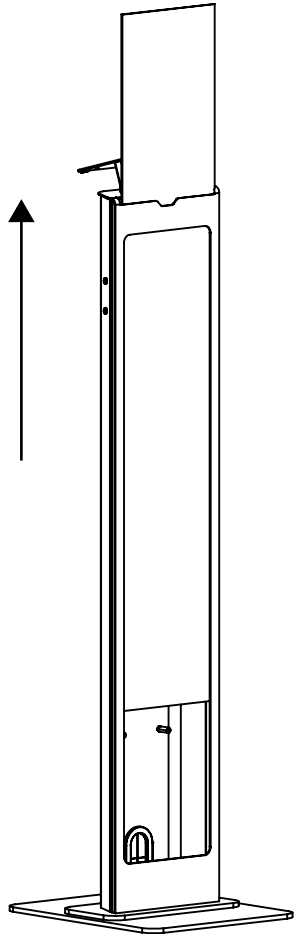
COMPLETE STEP 1



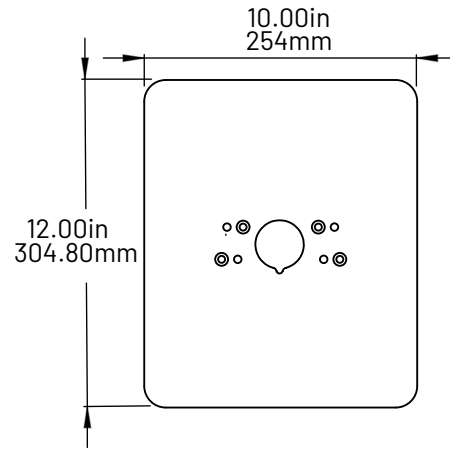
*NOTE: FLOOR STAND MUST BE TRANSPORTED WITHOUT THE STABILITY PLATE ATTACHED TO PREVENT DAMAGE.

1A - Continued

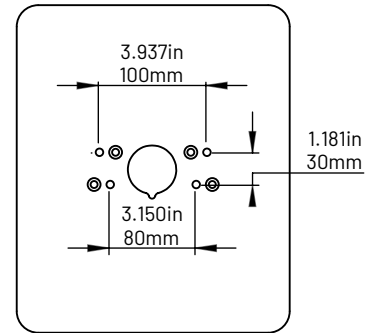
TAKE OUT COVER PANEL



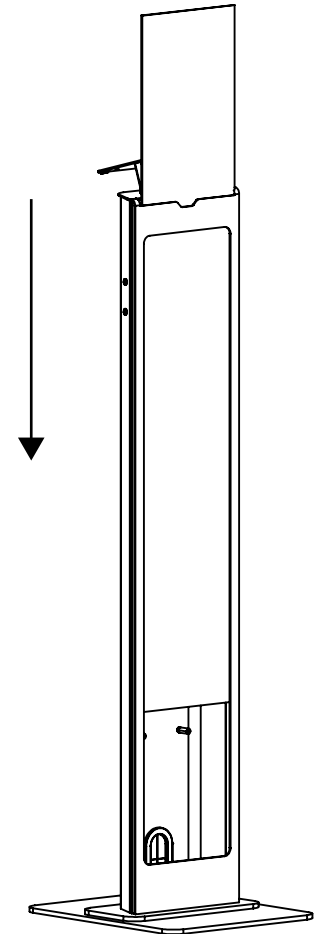
BOTTOM PLATE SIZE



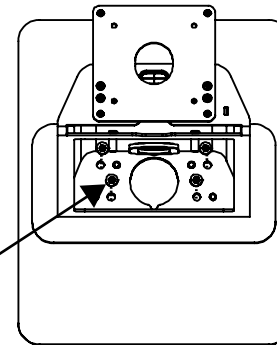
FLOOR MOUNTING PATTERN



PUT THE COVER PANEL BACK

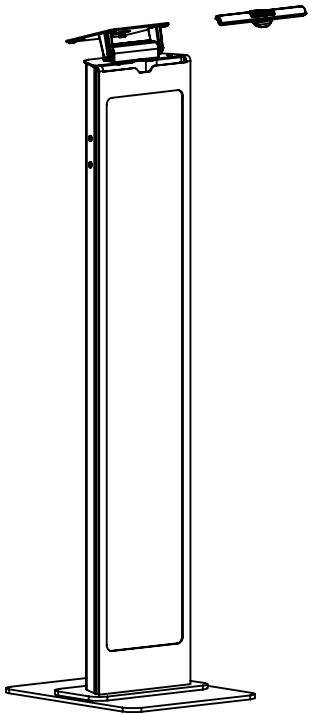


LOCATE SCREW HOLES IN BODY
BOTTOM PLATE
BOLT TO FLOOR USING
APPROPRIATE BOLTS
FOR FLOOR TYPE (NOT PROVIDED)

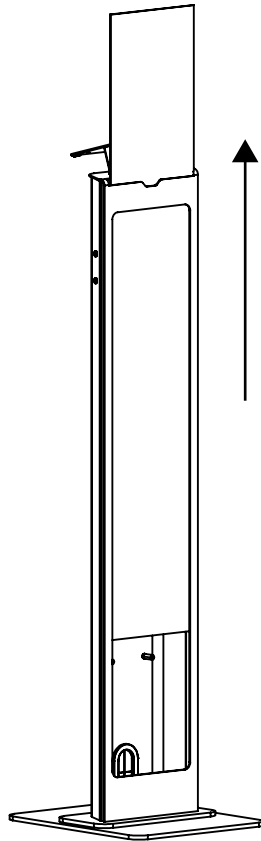


2 Cable Management Options

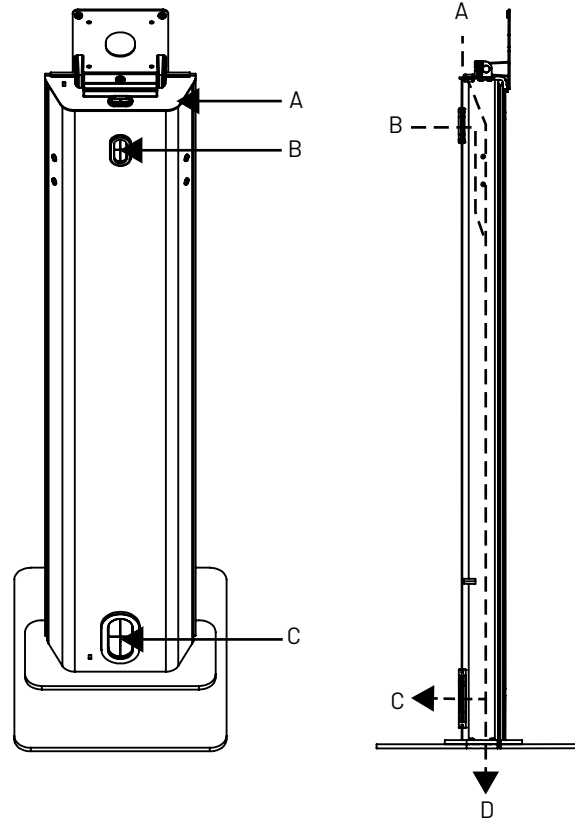
REMOVE RUBBER CAP



TAKE OUT COVER PANEL

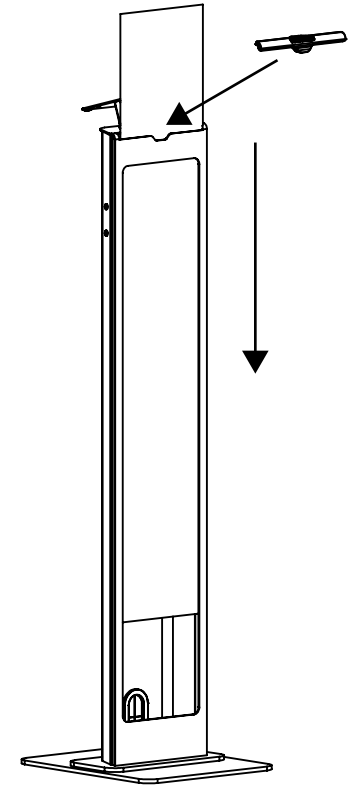


A - INLET IN TOP PLATE
B - INLET IN BACK PLATE
C - EXIT IN BACK PLATE
D - EXIT IN BASE PLATE



1. PUT THE COVER PANEL BACK
2. PUT BACK THE RUBBER CAP*

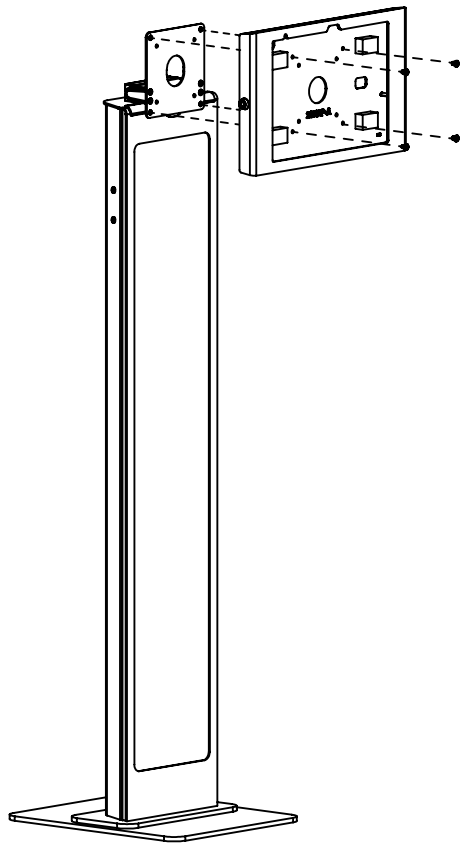
*for easier insertion of the rubber cap,
use a flat head screwdriver or simlliar
object to adjust the cap.



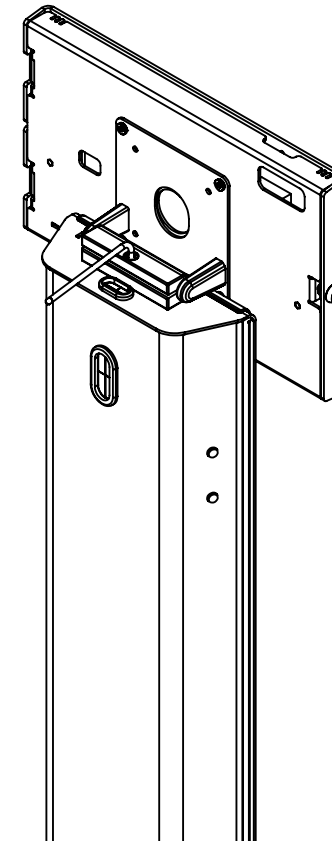
3A Install Device

3B

INSTALL YOUR TABLET ENCLOSURE
(OR VESA COMPATIBLE MOUNTING SOLUTION)
USING FOUR M4x8mm PHILLIPS PAN HEAD SCREWS (PROVIDED)

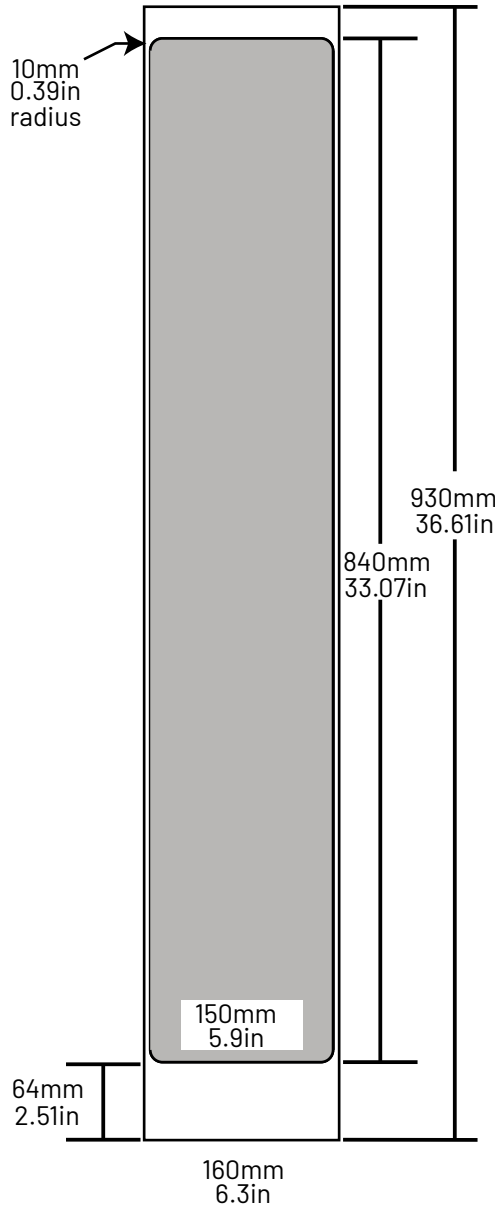


ADJUST TILT RESISTANCE BY
TIGHTENING THE SCREW LOCATED
ON THE HINGE ASSEMBLY



Graphic Panel Specifications

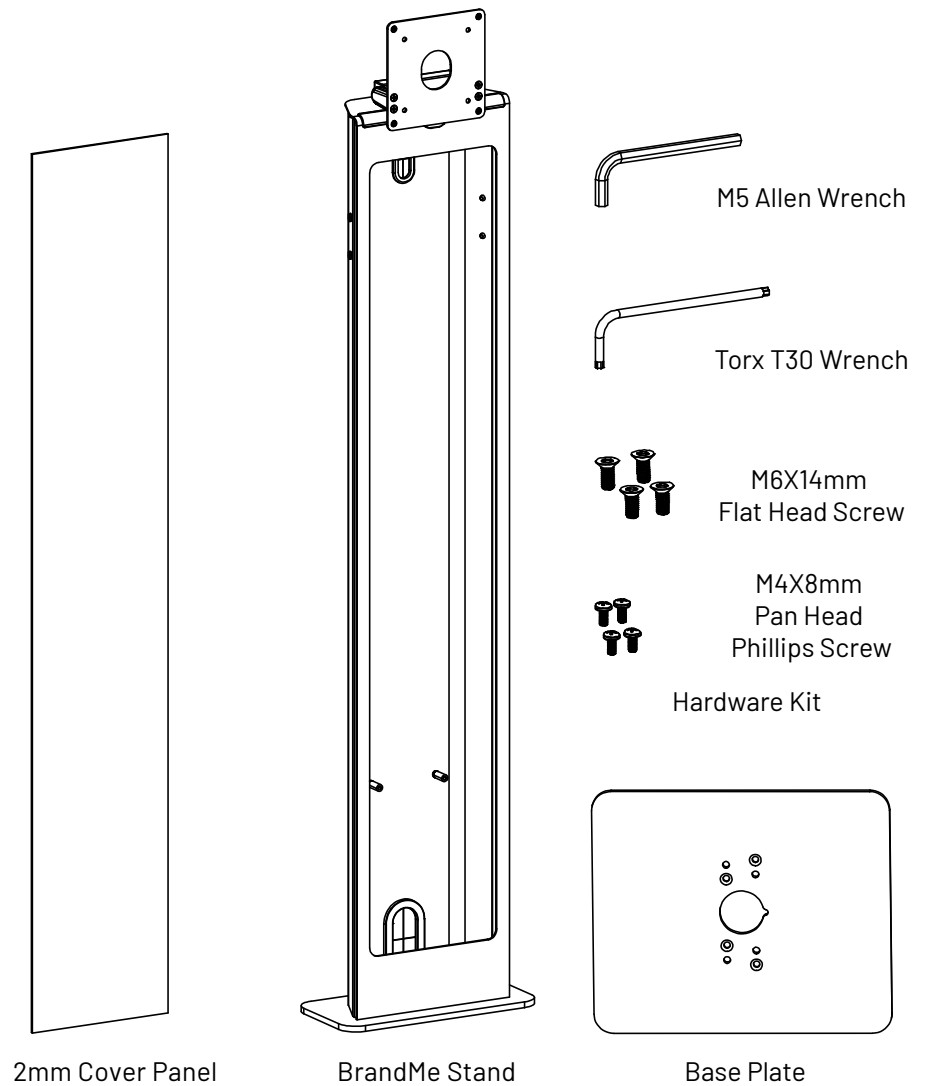
In The Box



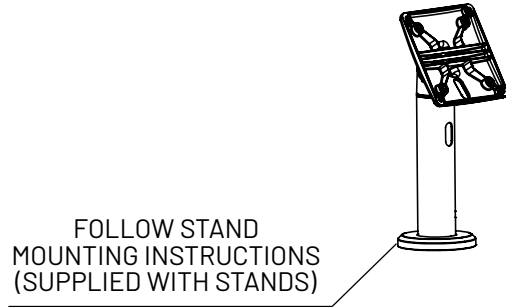
panel information:
 Graphics panel thickness
 5mm ±5% max
 .02in±5% max

Panel material examples:
 Backlit: clear acrylic/polycarbonate*
 Standard: foam board, foamed PVC panel*

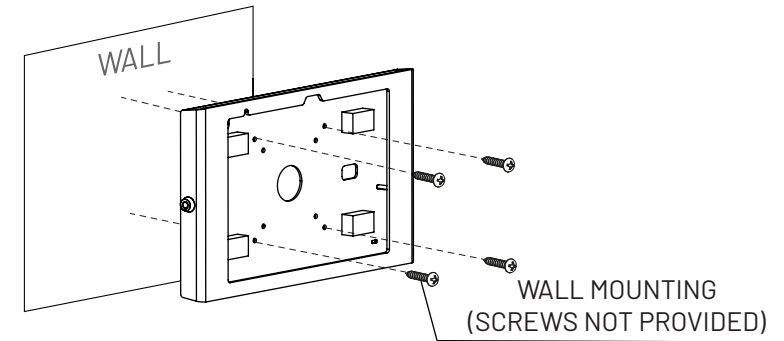
*examples only, consult chosen printing services for recommended material and print methods.



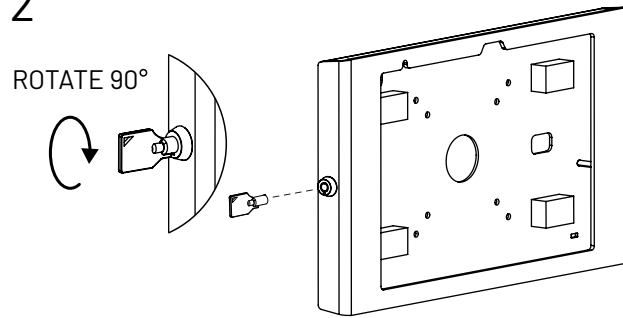
1



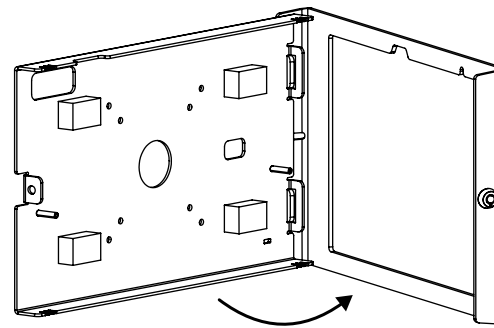
Or



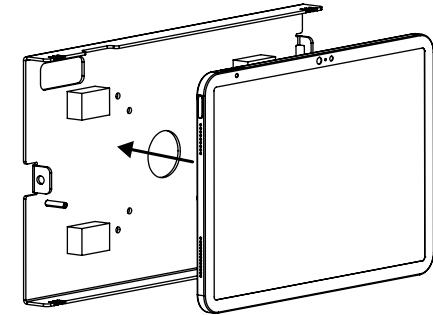
2



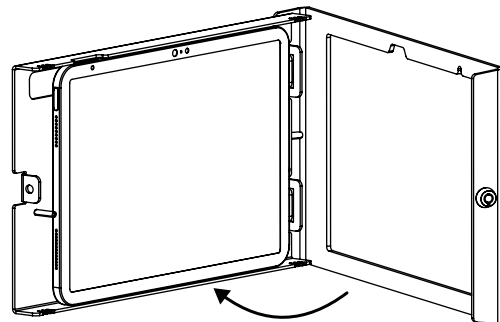
3



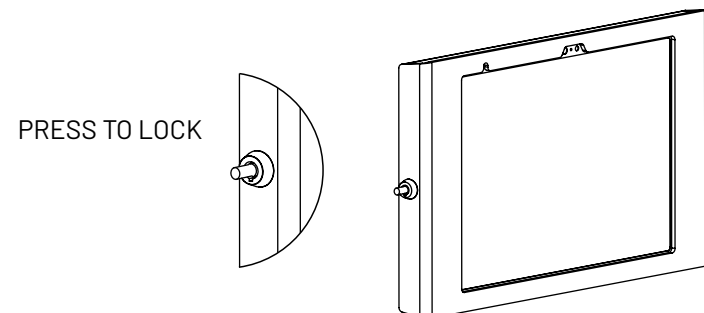
4



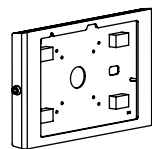
5



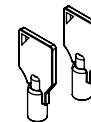
6



IN THE BOX



Apex Enclosure



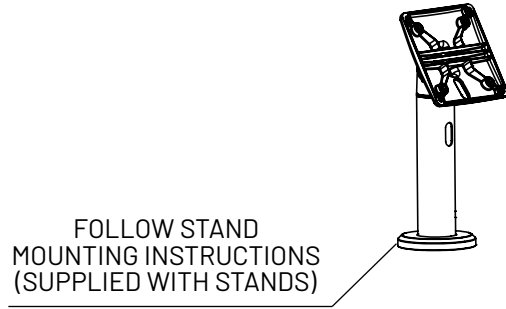
Keys

Swell Enclosure

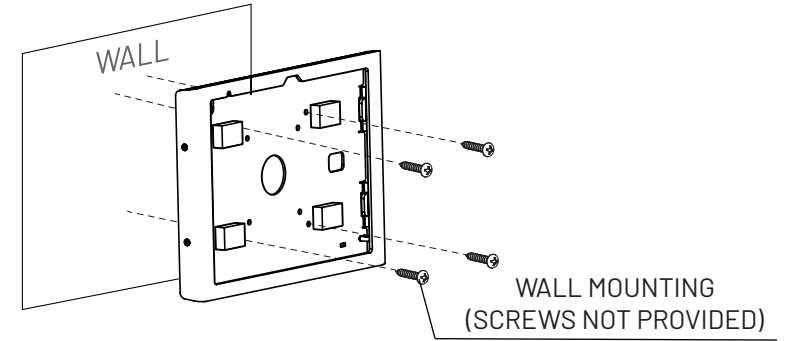
Assembly Instructions

COMPULOCKS

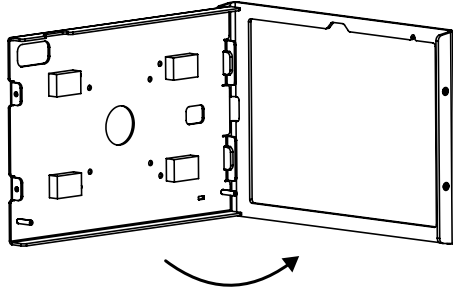
1



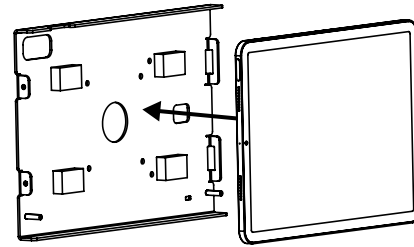
Or



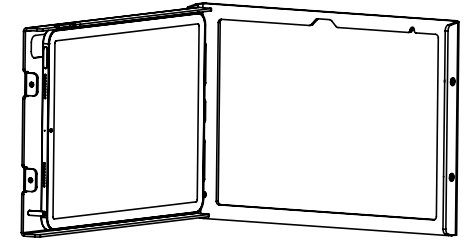
2



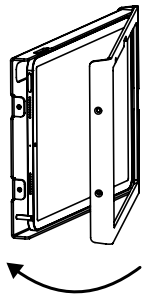
3



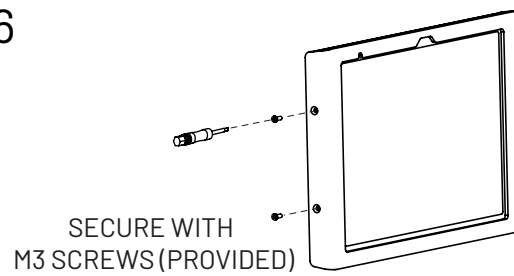
4



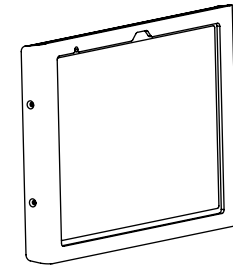
5



6



7



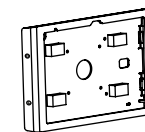
IN THE BOX



Torx Screwdriver



M3x10mm tamper proof screws



Swell enclosure