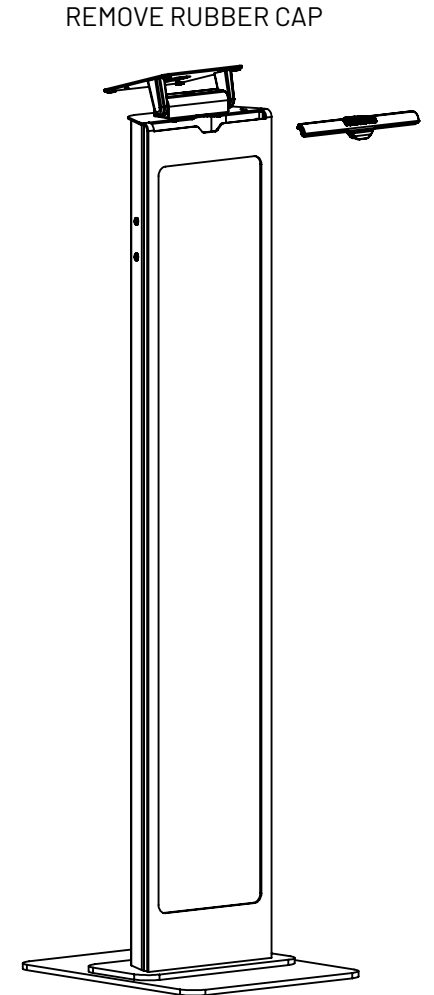
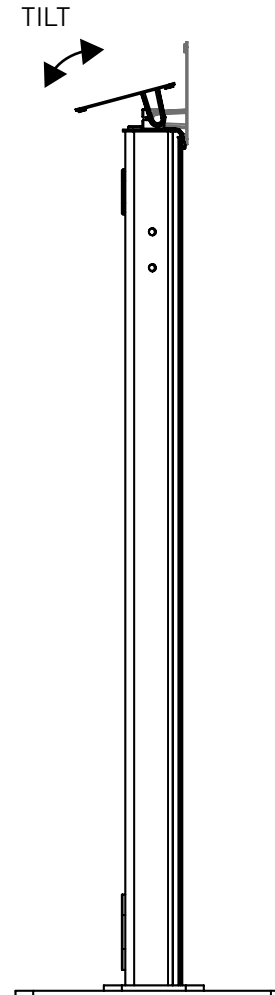
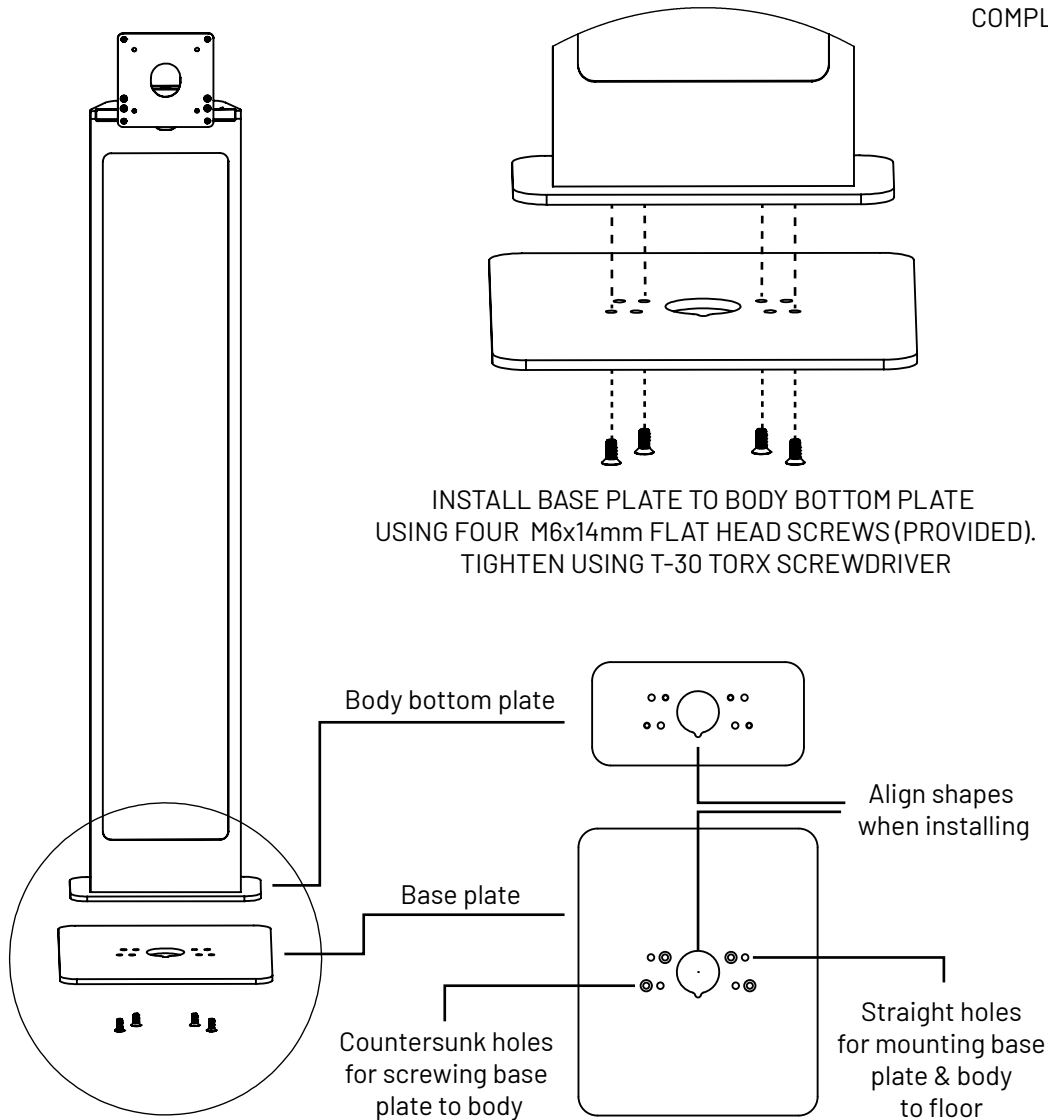


1 Floor Mounting Option - Freestanding

1A Floor Mounting Option - Bolt To Floor

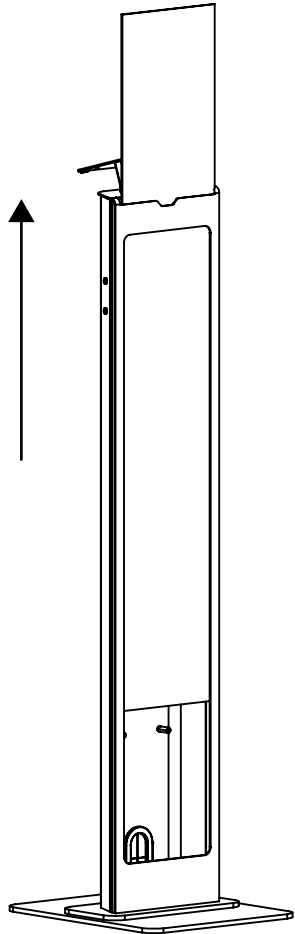
COMPLETE STEP 1



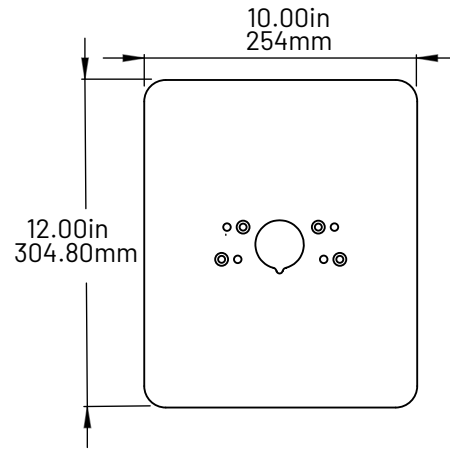
*NOTE: FLOOR STAND MUST BE TRANSPORTED WITHOUT THE STABILITY PLATE ATTACHED TO PREVENT DAMAGE.

1A - Continued

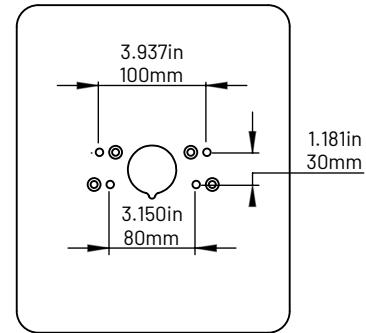
TAKE OUT COVER PANEL



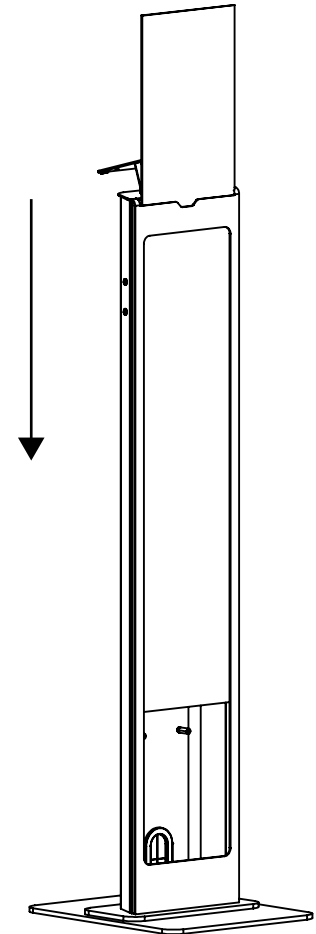
BOTTOM PLATE SIZE



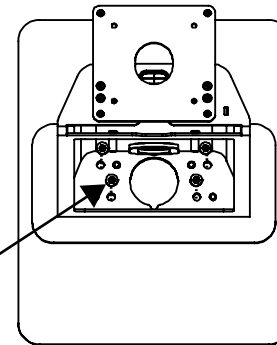
FLOOR MOUNTING PATTERN



PUT THE COVER PANEL BACK

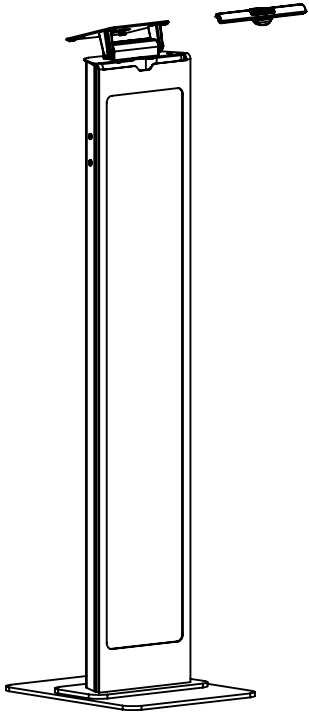


LOCATE SCREW HOLES IN BODY
BOTTOM PLATE
BOLT TO FLOOR USING
APPROPRIATE BOLTS
FOR FLOOR TYPE (NOT PROVIDED)

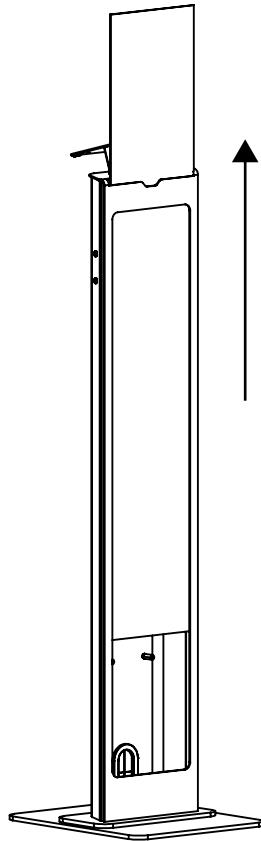


2 Cable Management Options

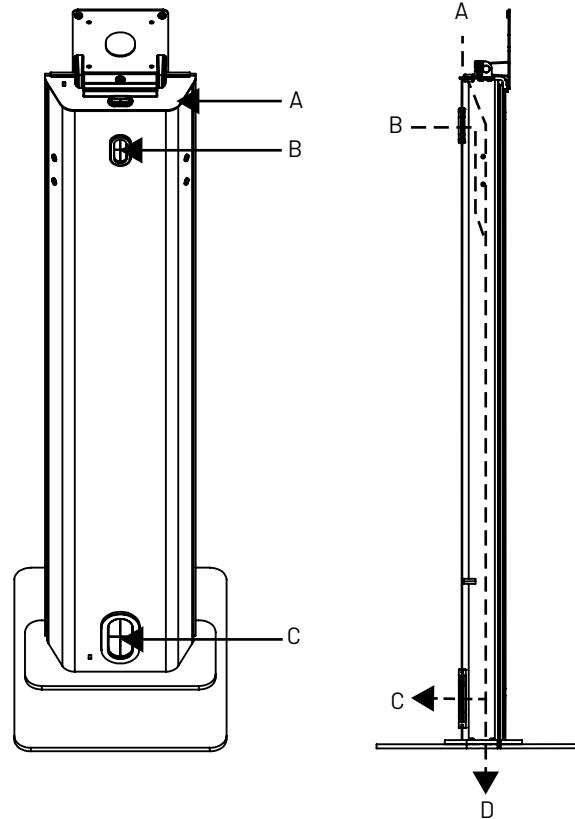
REMOVE RUBBER CAP



TAKE OUT COVER PANEL

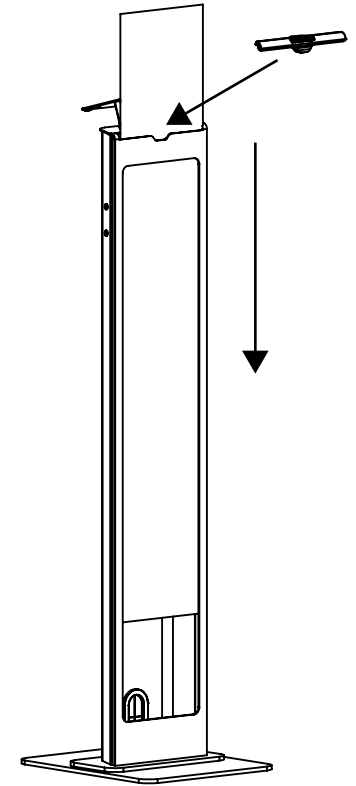


A - INLET IN TOP PLATE
B - INLET IN BACK PLATE
C - EXIT IN BACK PLATE
D - EXIT IN BASE PLATE



1. PUT THE COVER PANEL BACK
2. PUT BACK THE RUBBER CAP*

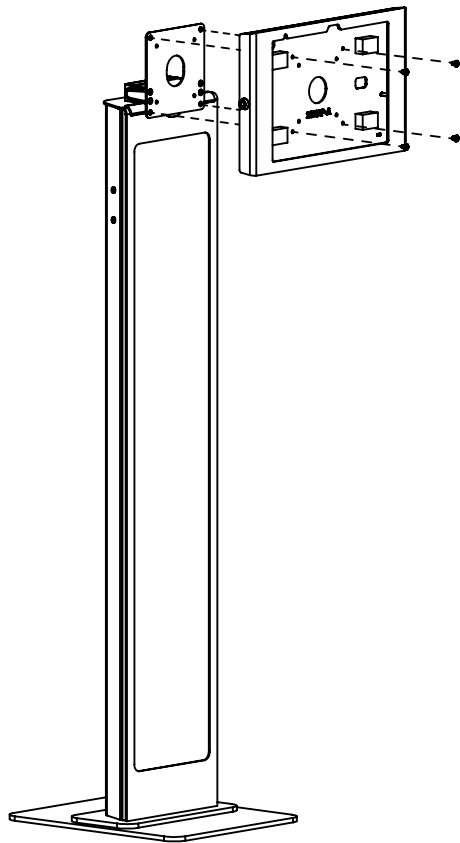
*for easier insertion of the rubber cap,
use a flat head screwdriver or similiar
object to adjust the cap.



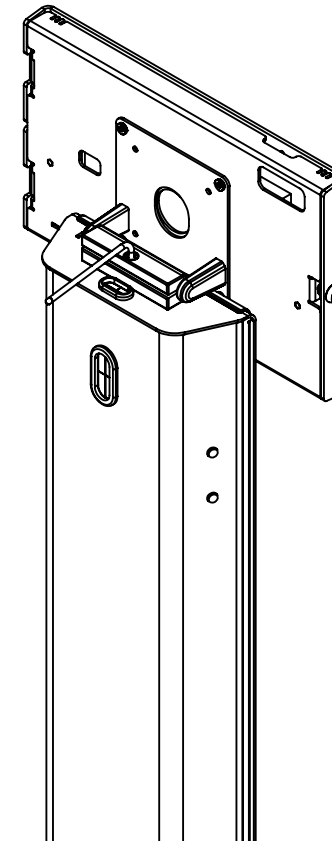
3A Install Device

3B

INSTALL YOUR TABLET ENCLOSURE
(OR VESA COMPATIBLE MOUNTING SOLUTION)
USING FOUR M4x8mm PHILLIPS PAN HEAD SCREWS (PROVIDED)

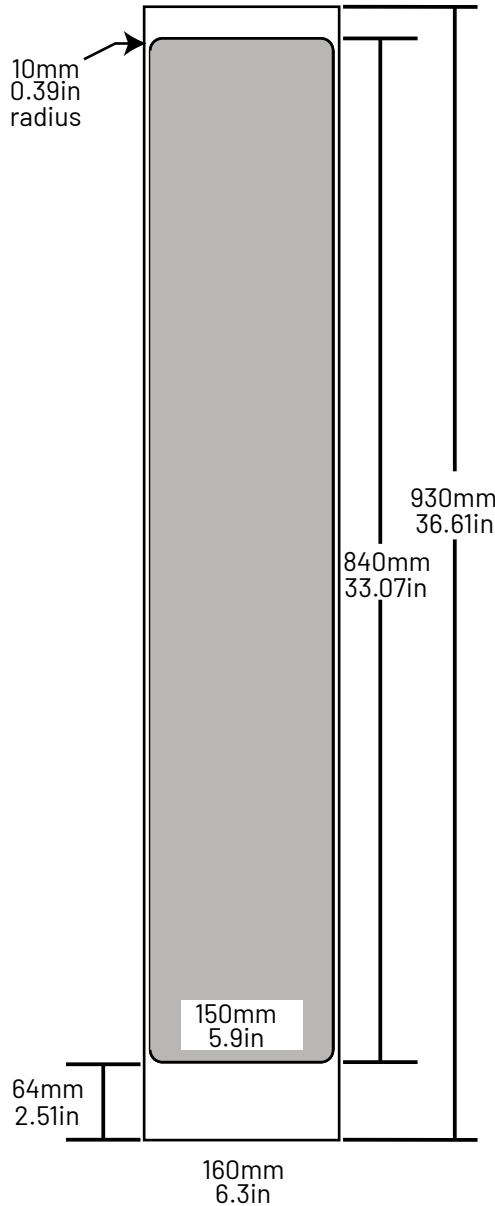


ADJUST TILT RESISTANCE BY
TIGHTENING THE SCREW LOCATED
ON THE HINGE ASSEMBLY



Graphic Panel Specifications

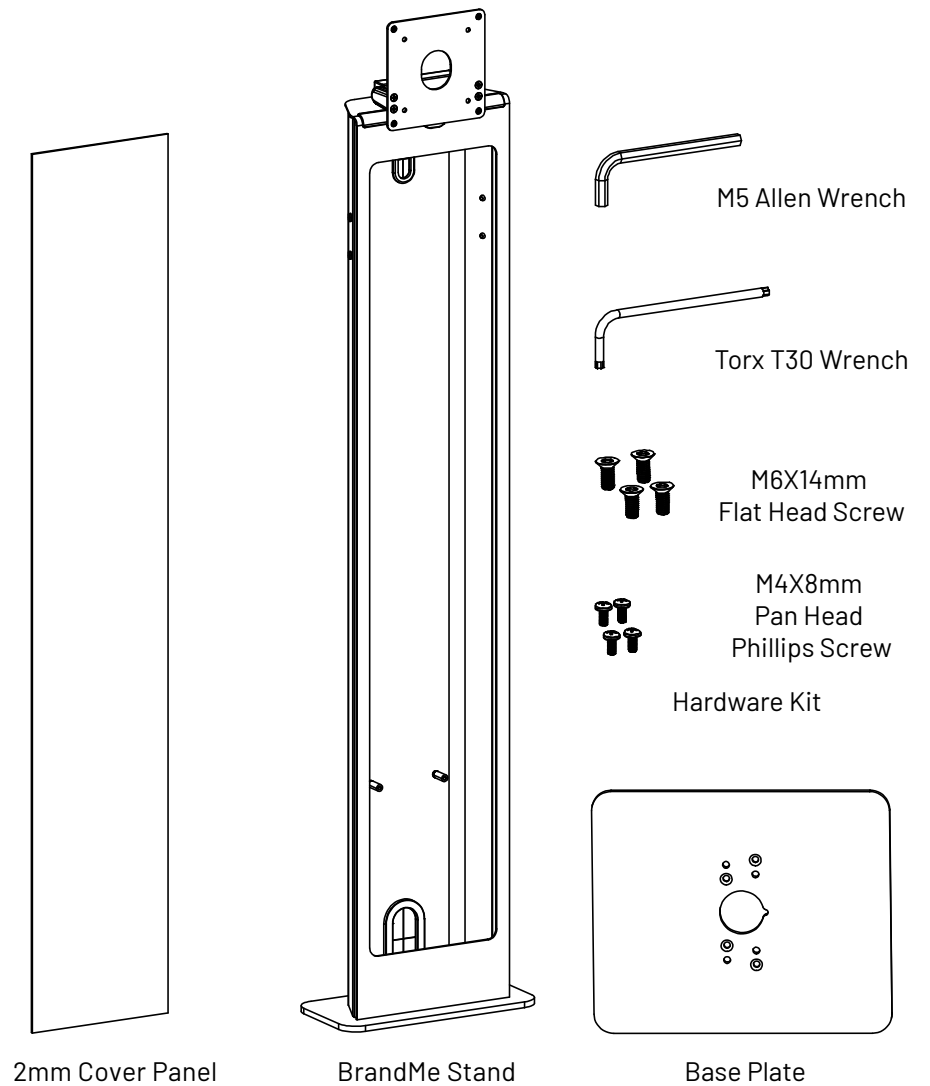
In The Box



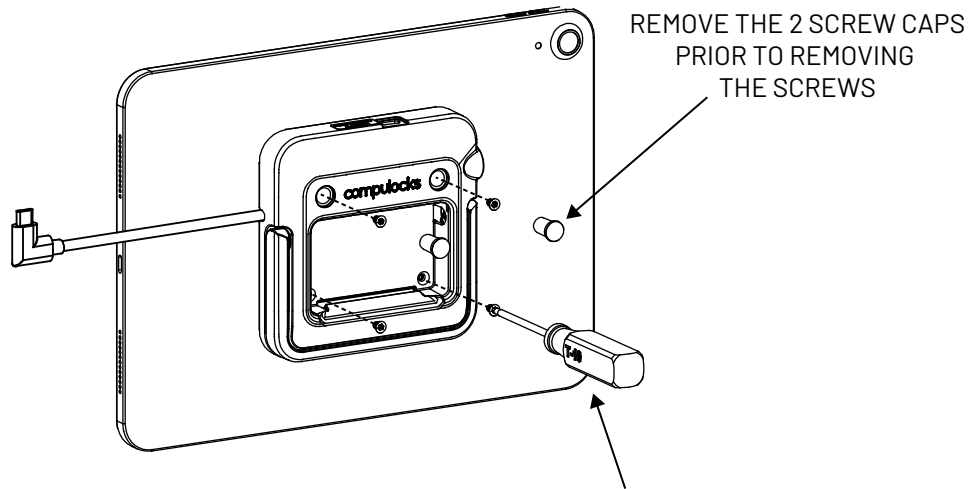
panel information:
 Graphics panel thickness
 5mm ±5% max
 .02in±5% max

Panel material examples:
 Backlit: clear acrylic/polycarbonate*
 Standard: foam board, foamed PVC panel*

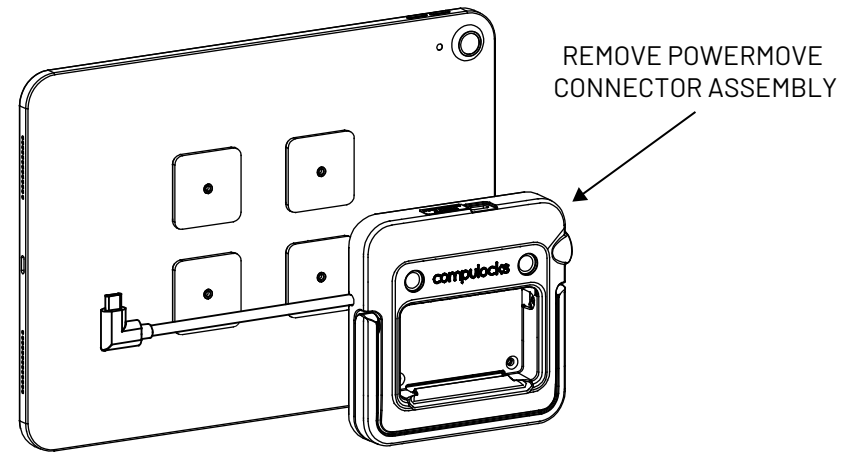
*examples only, consult chosen printing services for recommended material and print methods.



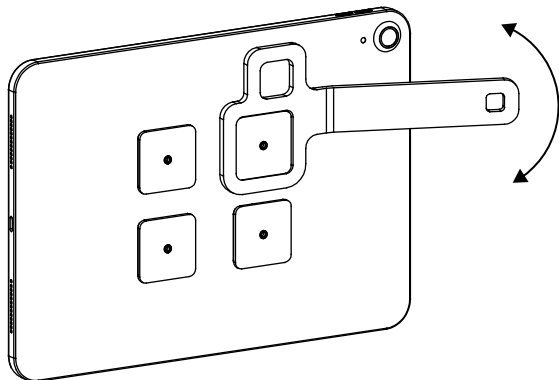
1



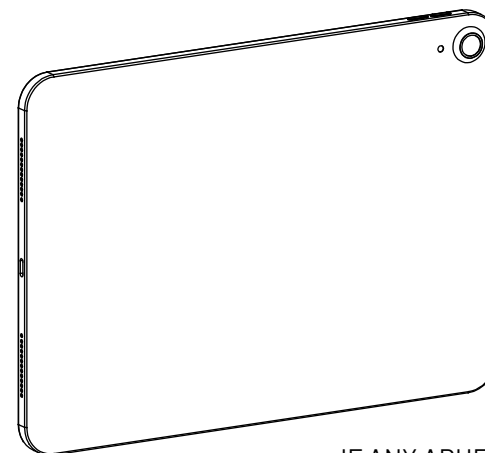
2



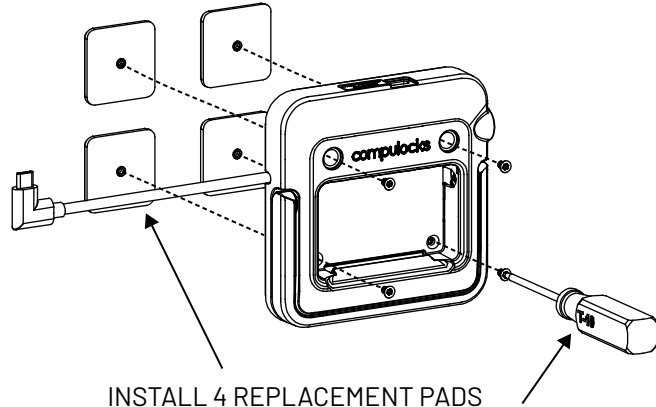
3



4

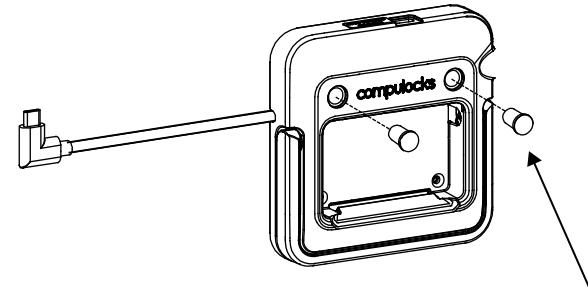


5



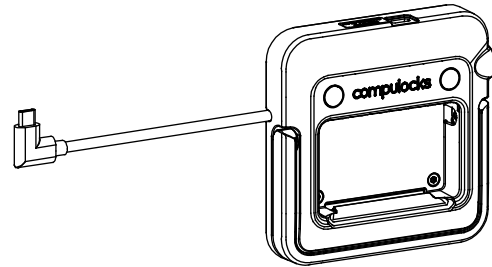
INSTALL 4 REPLACEMENT PADS
 USING 4 M3 x 5mm TORX FLAT HEAD SCREWS
 USING T-10 SCREWDRIVER (SENT WITH ORIGINAL POWERMOVE)

6



INSTALL THE 2 SCREW CAPS

7

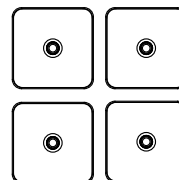


POWERMOVE CONNECTOR ASSEMBLY
 IS READY FOR INSTALLATION. FOLLOW POWERMOVE
 CONNECTOR ASSEMBLY INSTRUCTIONS

IN THE BOX



M3 X 5mm Torx Flat Head Screws



Pads



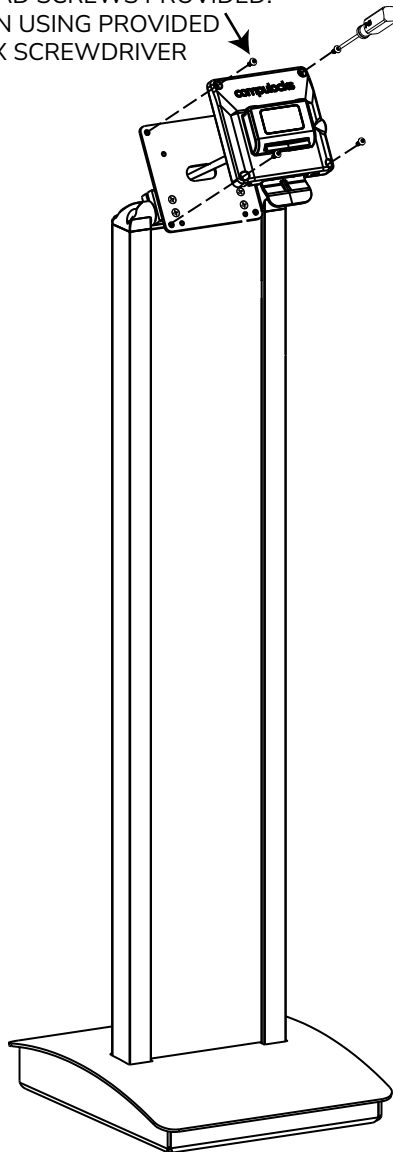
Alcohol Wipes

Assembly Instructions

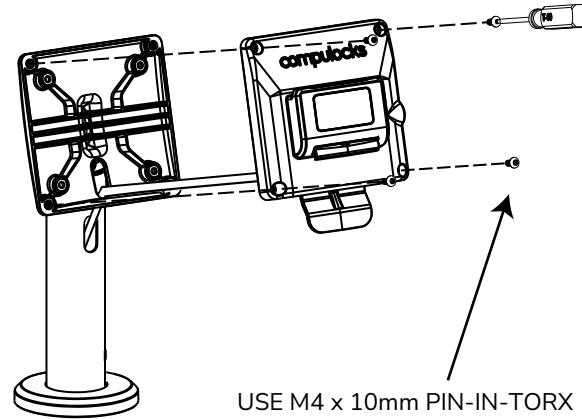
Mounting Options

1 Floor Stand Mounting

USE M4 x 10mm PIN-IN-TORX
BUTTON HEAD SCREWS PROVIDED.
TIGHTEN USING PROVIDED
TORX SCREWDRIVER

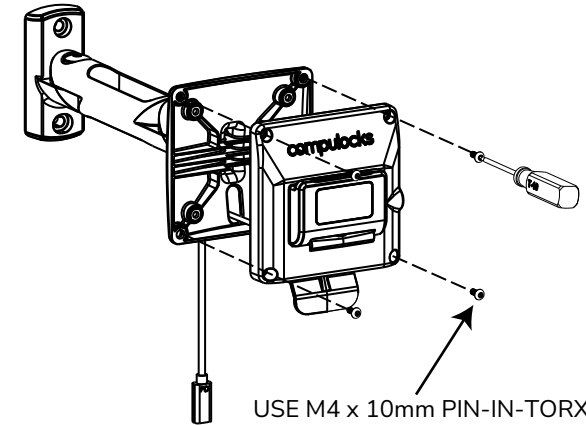


2 Counter Stand Mounting



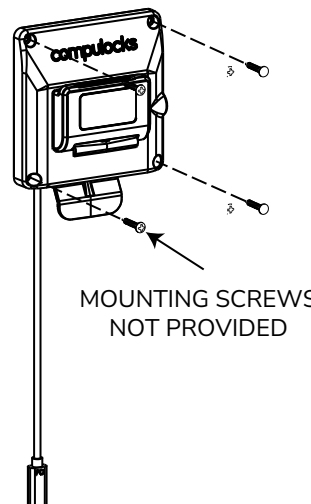
USE M4 x 10mm PIN-IN-TORX
BUTTON HEAD SCREWS PROVIDED.
TIGHTEN USING PROVIDED
TORX SCREWDRIVER

3 Wall Arm Mounting



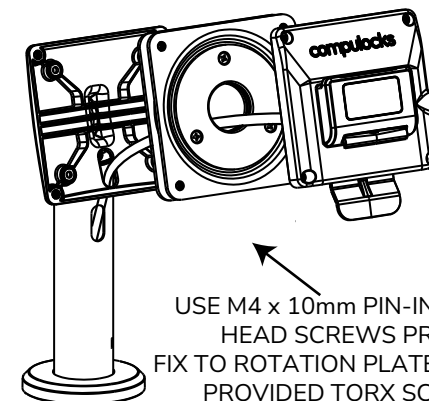
USE M4 x 10mm PIN-IN-TORX
BUTTON HEAD SCREWS PROVIDED.
TIGHTEN USING PROVIDED
TORX SCREWDRIVER

4 Direct Mounting To Wall



MOUNTING SCREWS
NOT PROVIDED

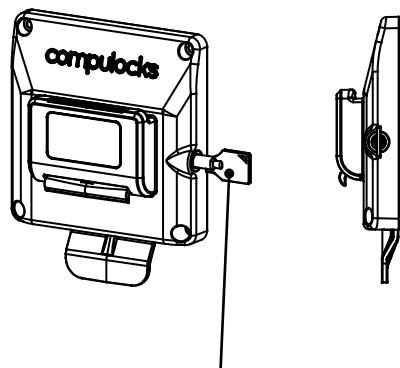
Optional Add-On:
Portrait To Landscape Rotation Plate



USE M4 x 10mm PIN-IN-TORX BUTTON
HEAD SCREWS PROVIDED TO
FIX TO ROTATION PLATE. TIGHTEN USING
PROVIDED TORX SCREWDRIVER.
USE SCREWS PROVIDED WITH ROTATION PLATE
TO SECURE TO STAND or ARM

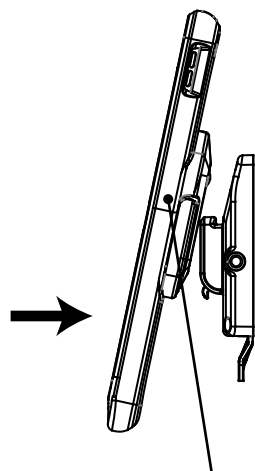
Placing Tablet with Connector to Dock Station

1



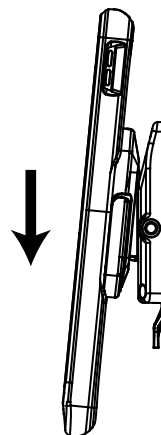
USE KEY TO UNLOCK THE LOCK.
REMOVE KEY

2



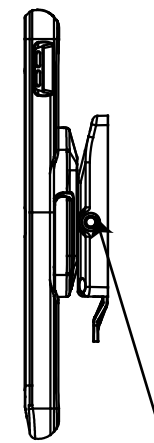
ALIGN CONNECTOR TO DOCK STATION

3



APPLY LIGHT PRESSURE.
LATCH WILL ENGAGE

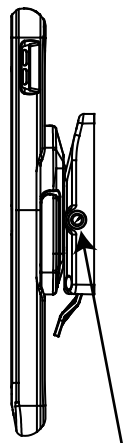
4



PUSH LOCK BUTTON TO SECURE
TABLET TO DOCK STATION

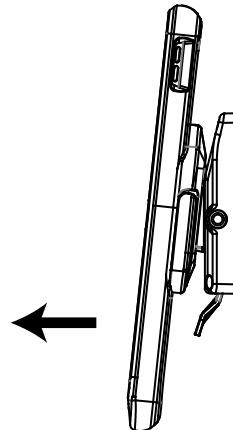
Removing Tablet with Connector from Dock Station

1



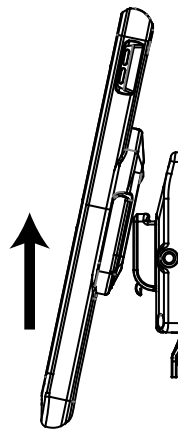
PRIOR TO PULLING LATCH,
UNLOCK LOCK USING KEY

2



PULL LATCH FORWARD

3



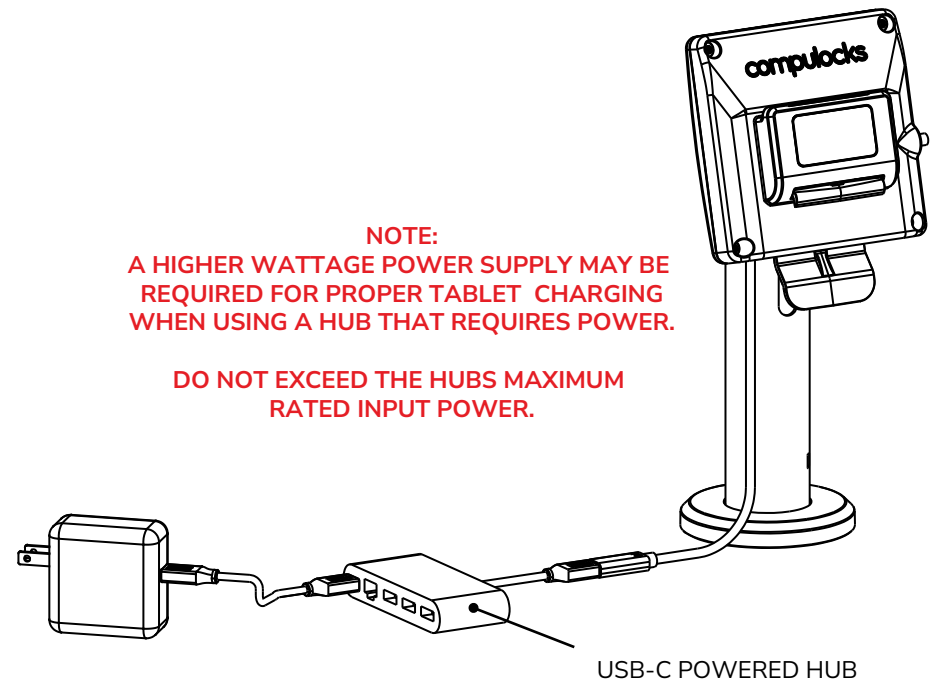
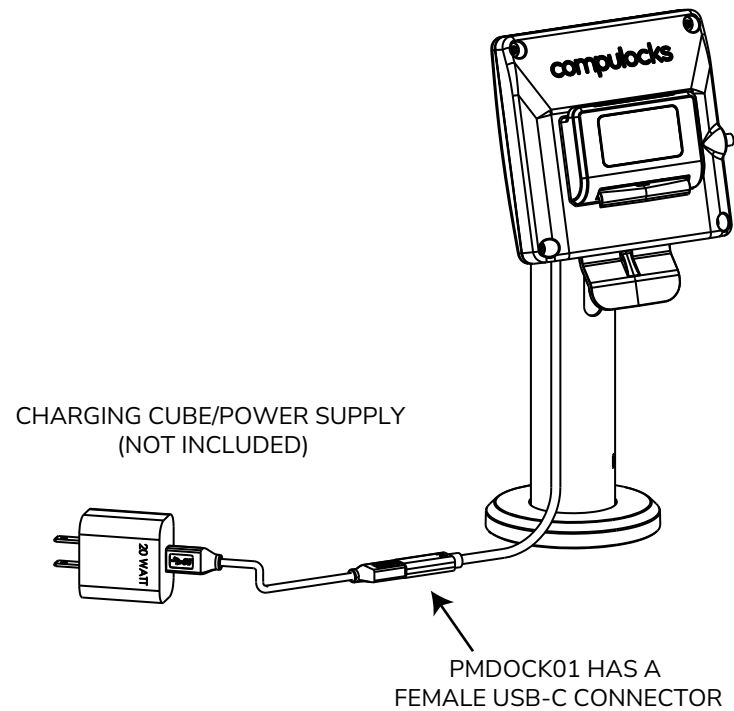
GENTLY PULL UP TO RELEASE

4



Tablet Charge PD Compatible

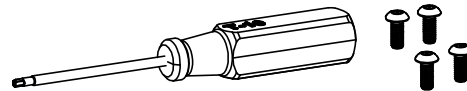
Tablet Data and Charge PD Compatible



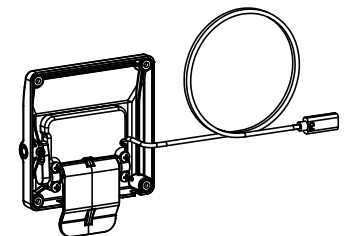
IN THE BOX



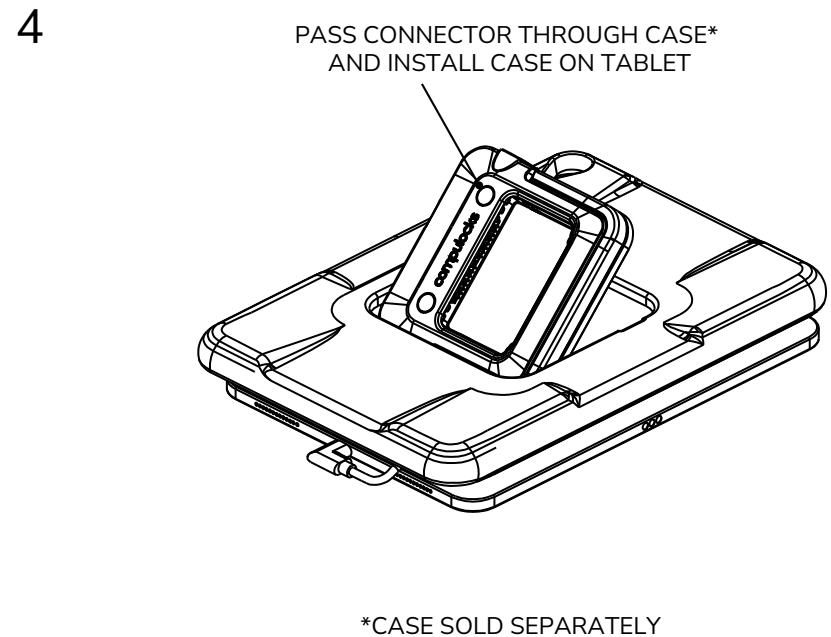
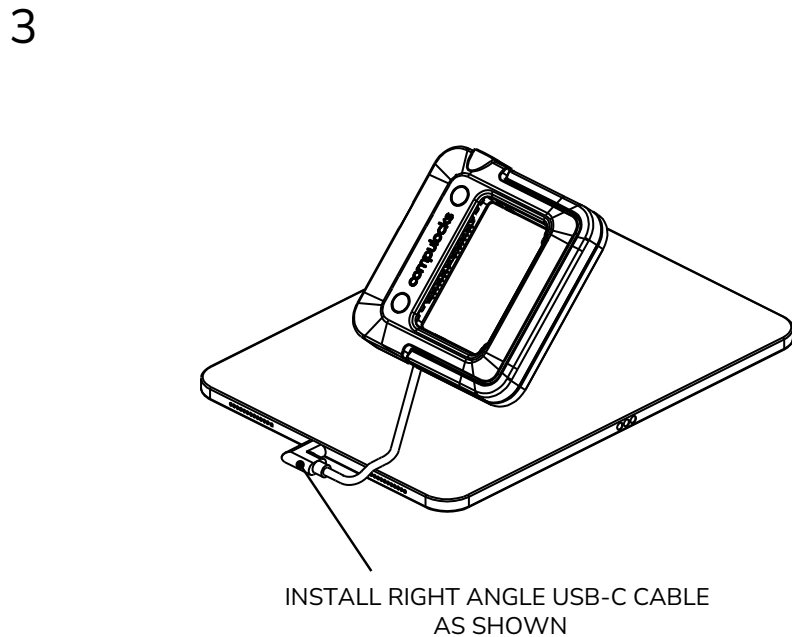
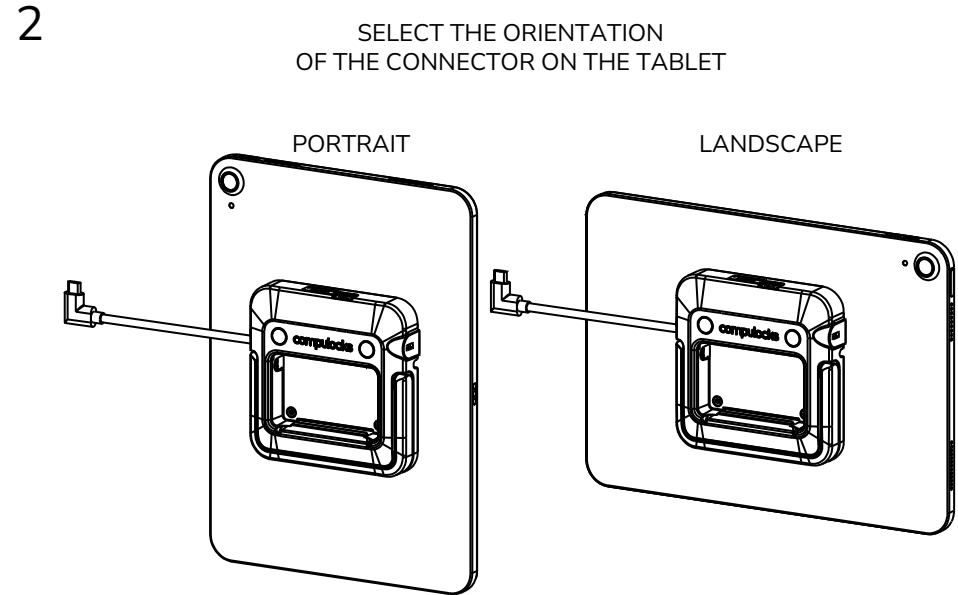
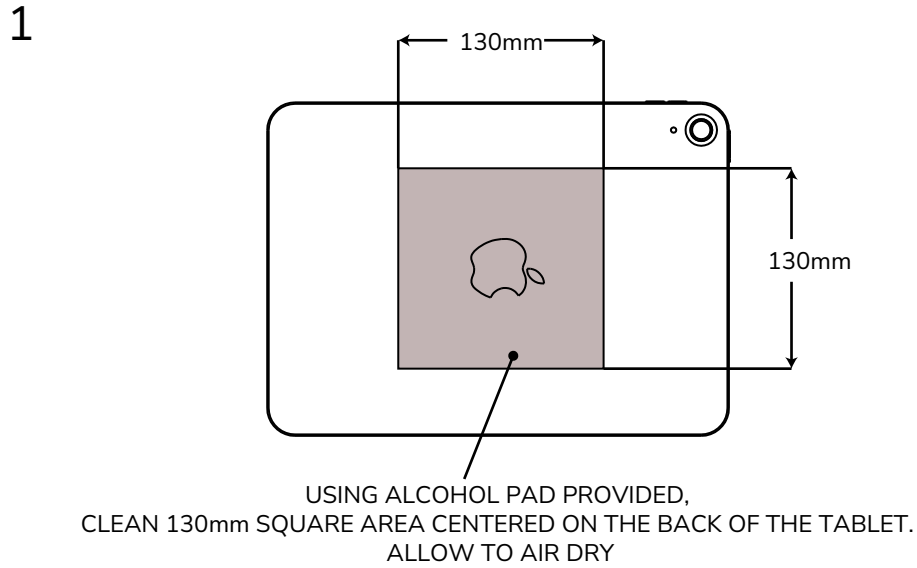
Keys



Hardware Kit

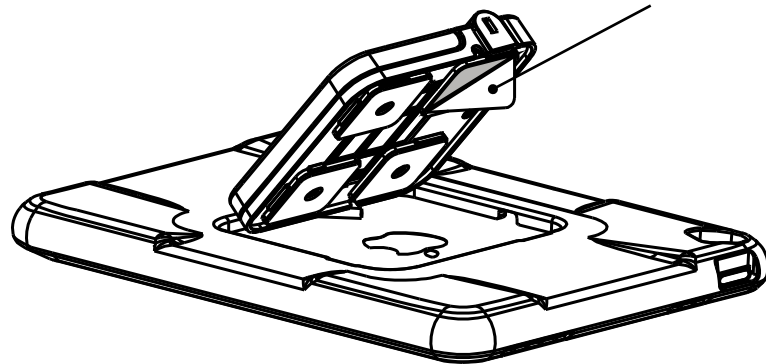


PowerMove Dock Station



5

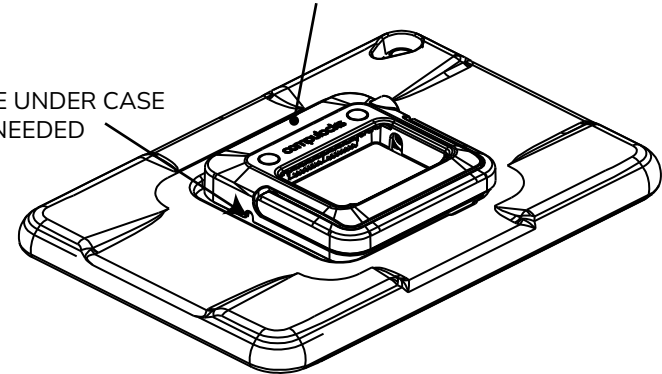
REMOVE COVERS TO EXPOSE
ADHESIVE ON ALL 4 PADS



6

CENTER CONNECTOR ON OPENING
IN CASE AND ADHERE TO TABLET WITH MILD PRESSURE

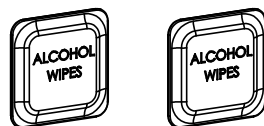
FEED CABLE UNDER CASE
AS NEEDED



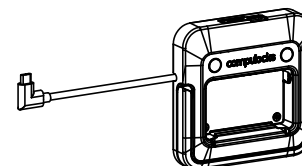
NOTE:
TABLET AND CONNECTOR SHOULD BE AT
ROOM TEMPERATURE FOR BEST RESULTS

FOR BEST PERFORMANCE ALLOW
CONNECTOR TO BOND TO TABLET FOR 12 HOURS.

IN THE BOX



Alcohol Wipes



PowerMove Connector