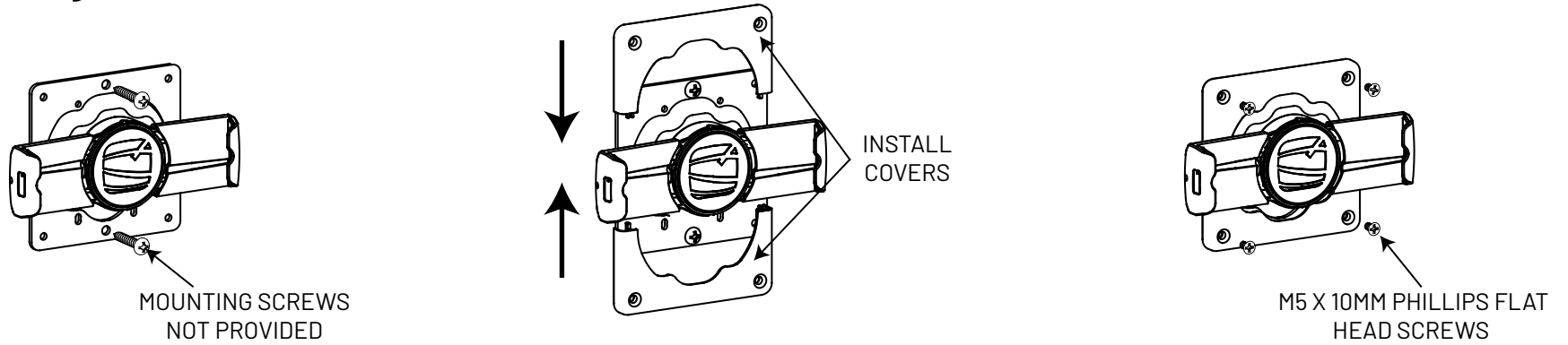
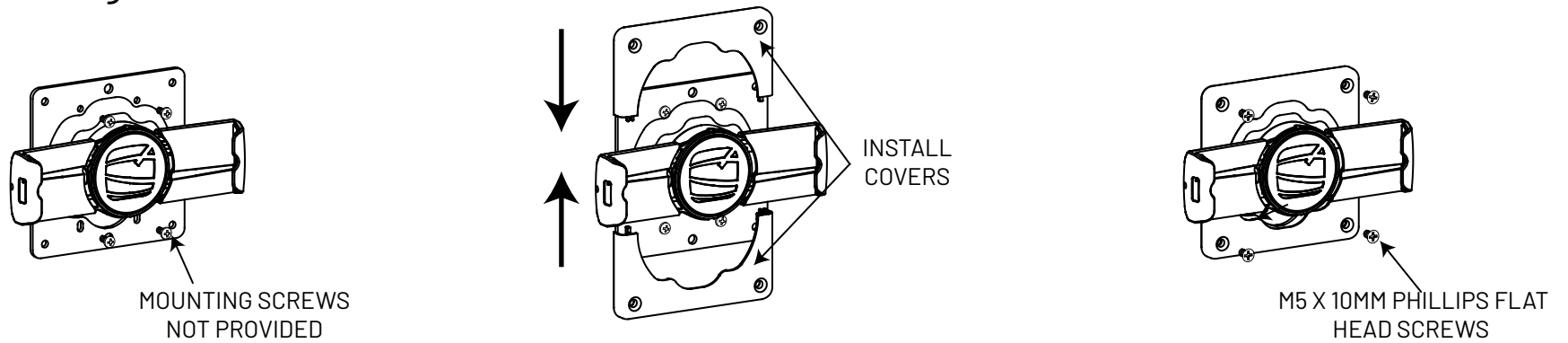


Wall Mounting



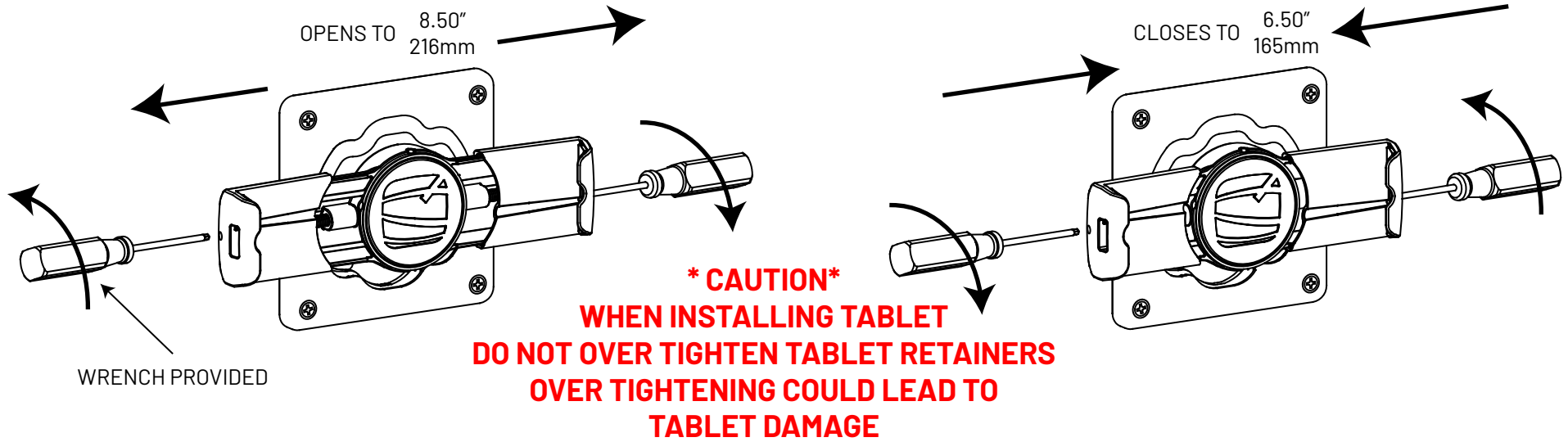
J-Box Mounting



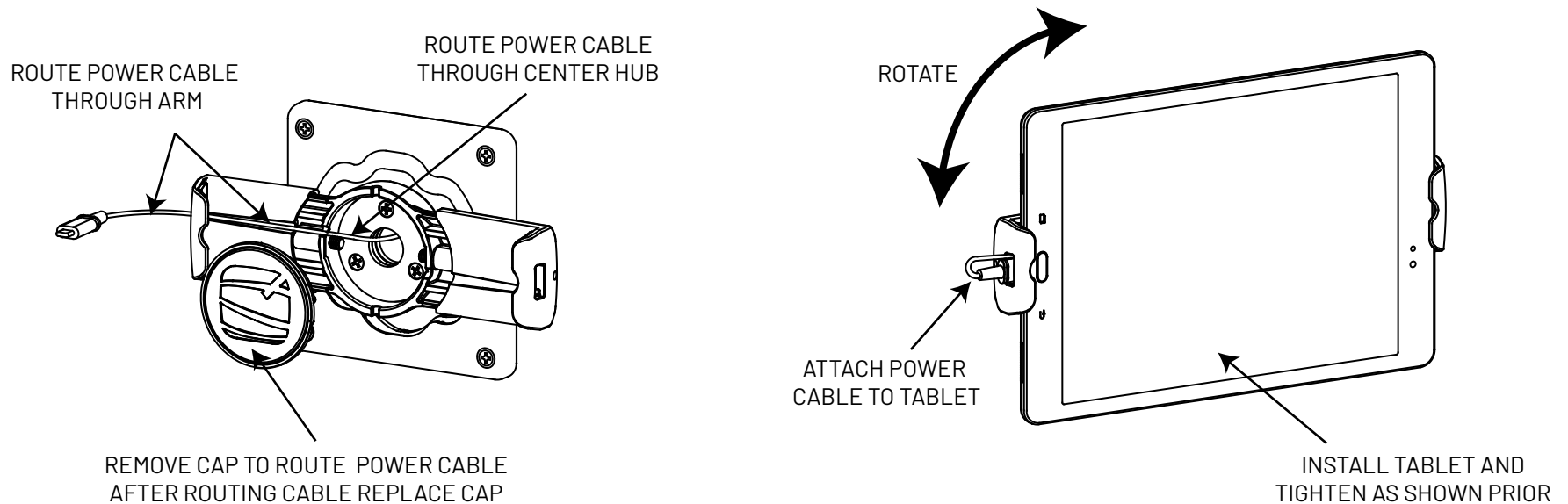
100mm Vesa Mounting



### Minimum and Maximum Opening of Mount

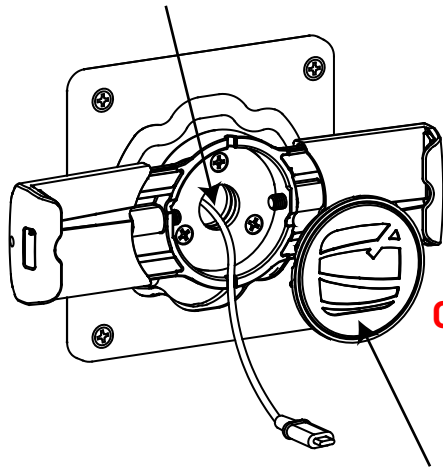


### Tablet Portrait Installation



## Tablet Landscape Installation

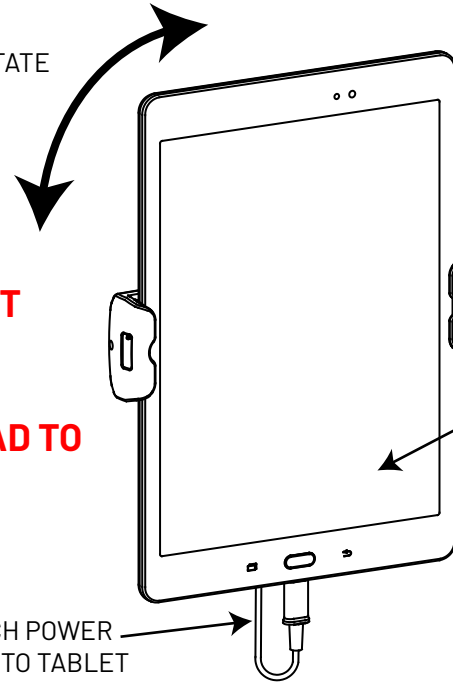
ROUTE POWER CABLE THROUGH CENTER HUB



REMOVE CAP TO ROUTE POWER CABLE AFTER ROUTING CABLE REPLACE CAP

**\* CAUTION\***  
**WHEN INSTALLING TABLET**  
**DO NOT OVER TIGHTEN**  
**TABLET RETAINERS**  
**OVER TIGHTENING COULD LEAD TO**  
**TABLET DAMAGE**

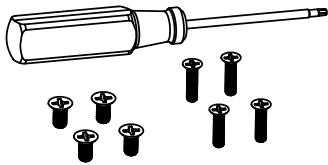
ROTATE



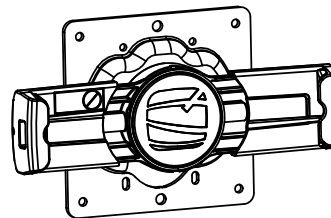
INSTALL TABLET AND TIGHTEN AS SHOWN PRIOR

ATTACH POWER CABLE TO TABLET

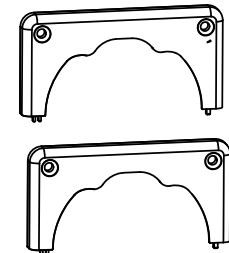
### IN THE BOX



Hardware Kit



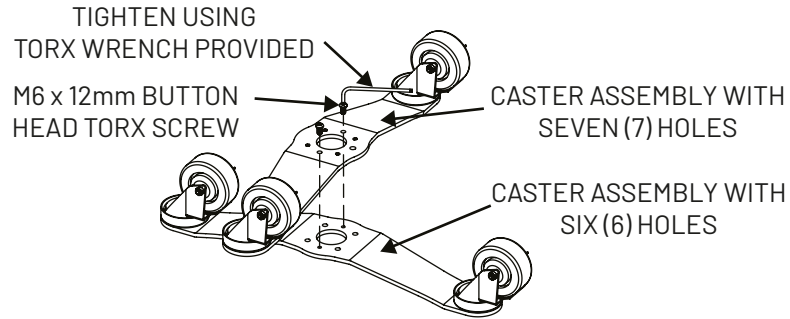
Cling VESA 100mm



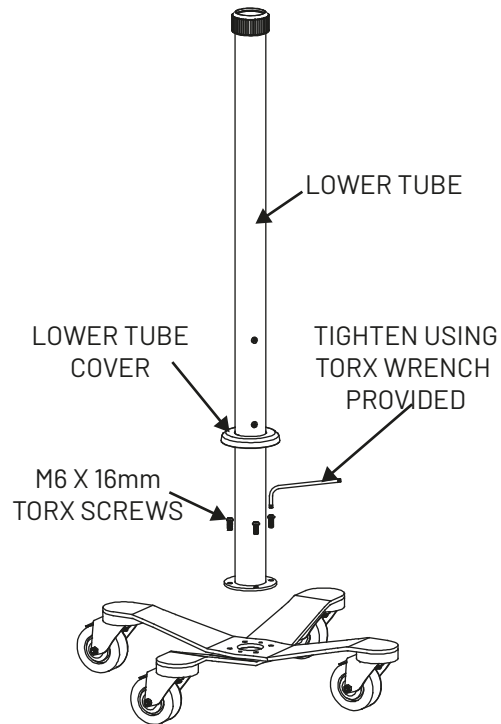
Covers

## Assembly Instructions

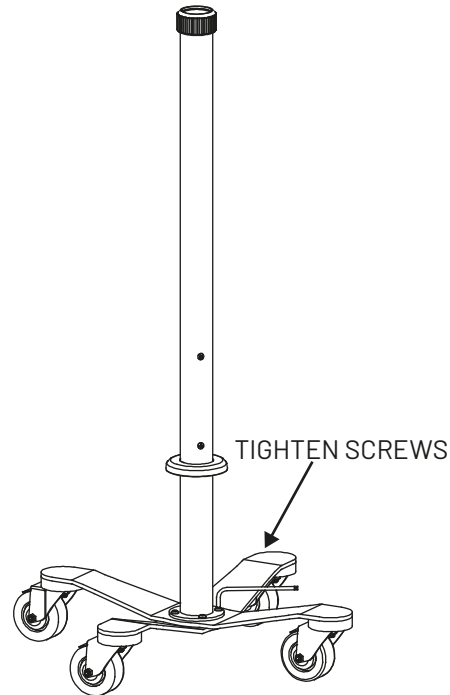
1 PLACE CASTER ASSEMBLY ON FLOOR WITH CASTERS FACING UPWARDS



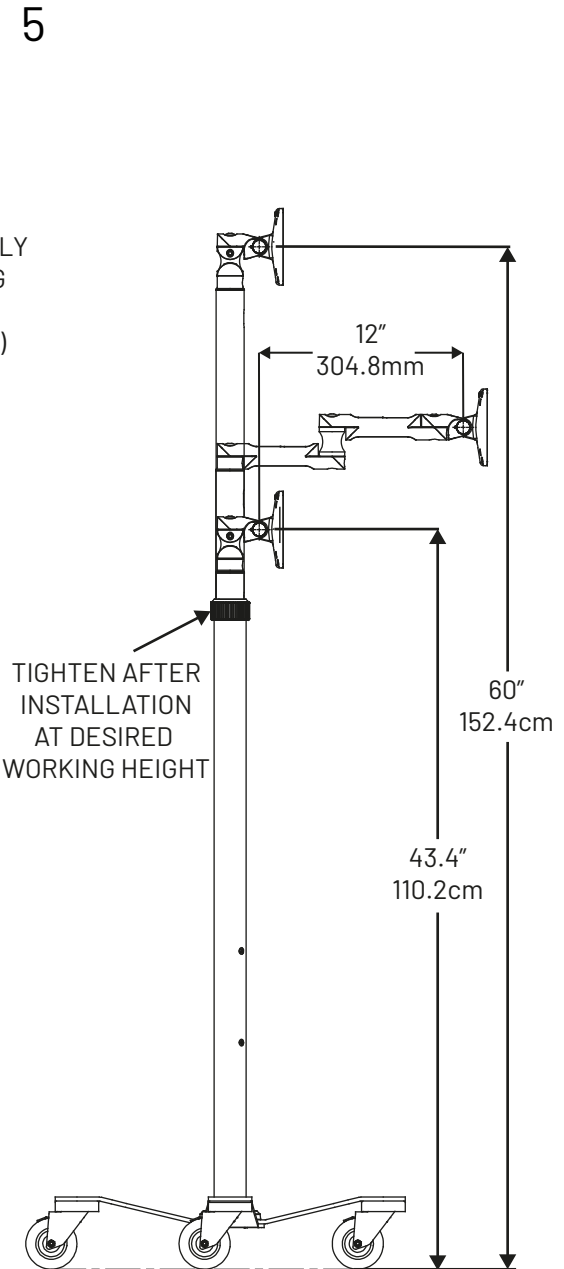
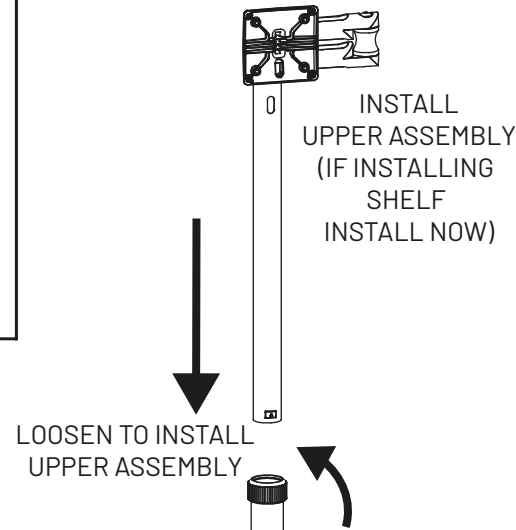
2



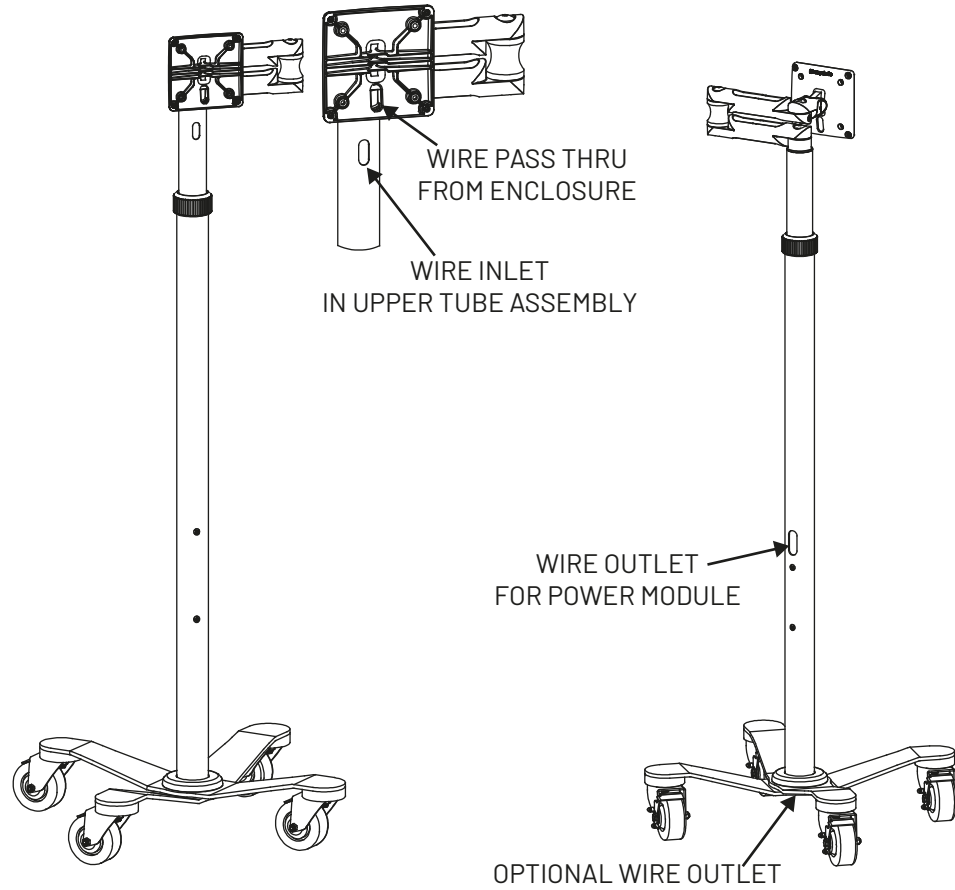
3



4

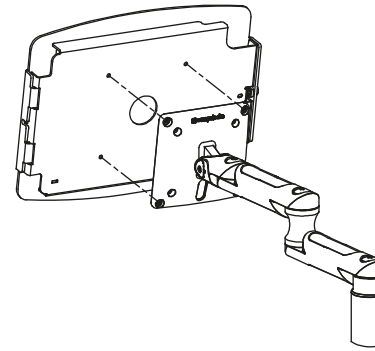


6

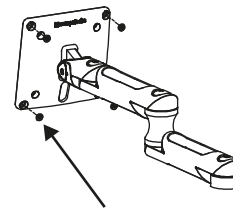


7

INSTALL YOUR TABLET ENCLOSURE AS SHOWN USING M4 SCREWS PROVIDED WITH RISE FREEDOM EXTENDED ROLLING STAND



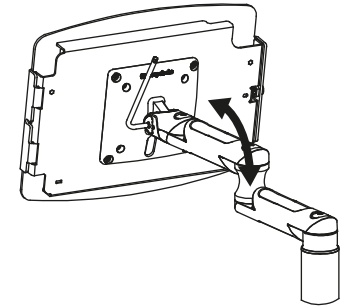
IF MOUNTING TO A MONITOR



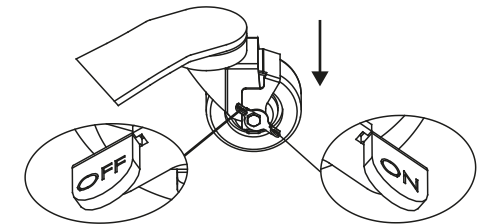
REMOVE M4 PRESS IN NUTS

8

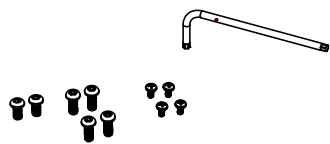
ADJUST TILT / TENSION



LOCKING THE CASTER

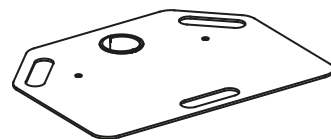


### IN THE BOX

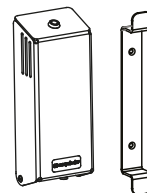


Hardware Kit

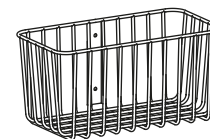
### ACCESSORIES



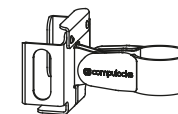
Keyboard / Writing Shelf Kit



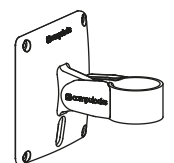
Power Module Kit



Accessory Basket Kit

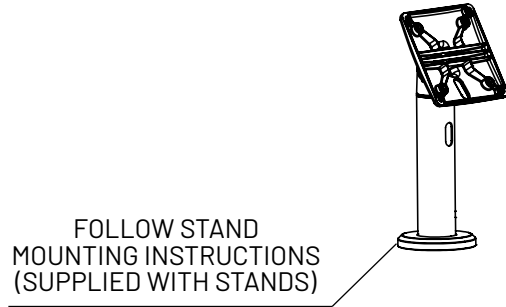


JBL GO 2 Speaker Bracket

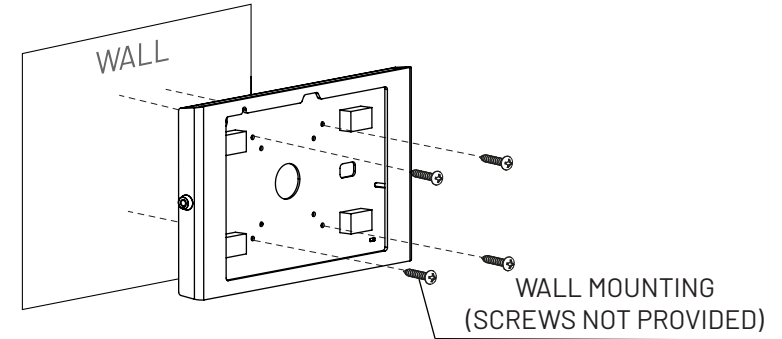


Single Add On Bracket Kit

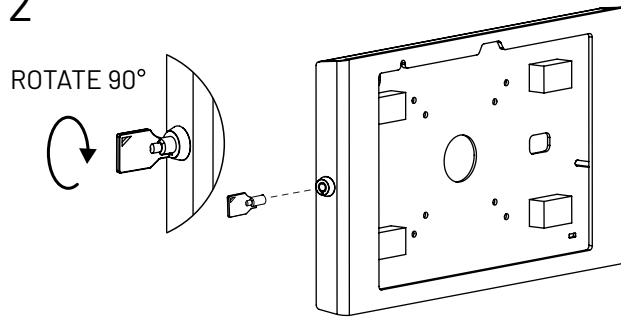
1



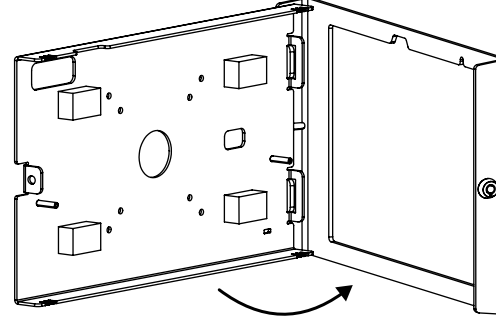
Or



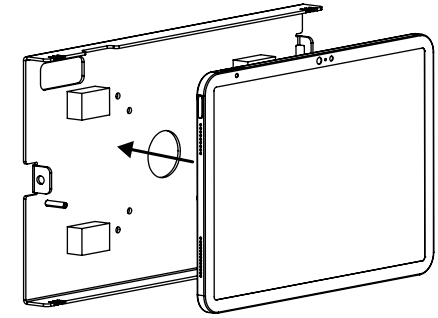
2



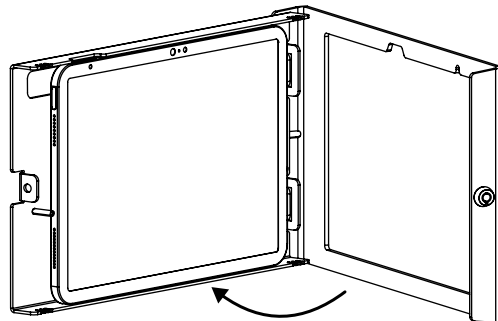
3



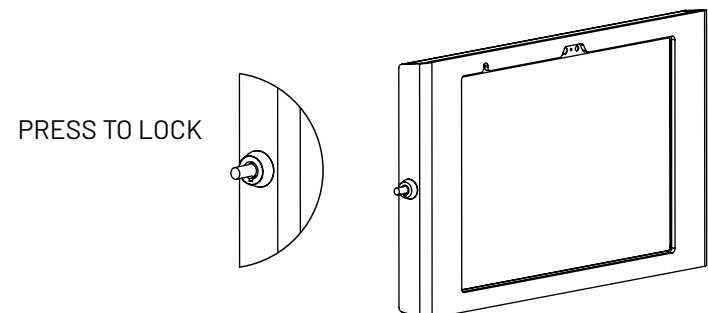
4



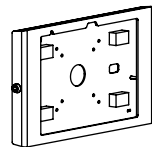
5



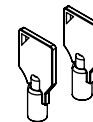
6



IN THE BOX



Apex Enclosure



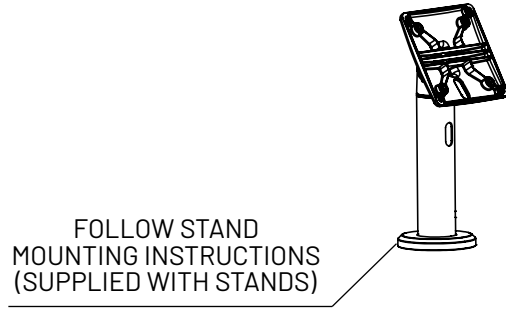
Keys

# Swell Enclosure

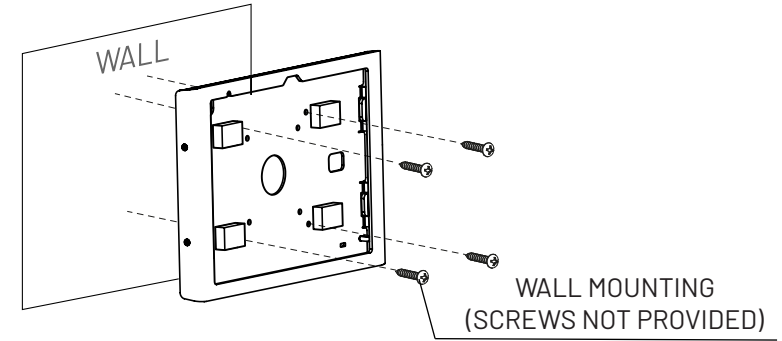
## Assembly Instructions

# COMPULOCKS

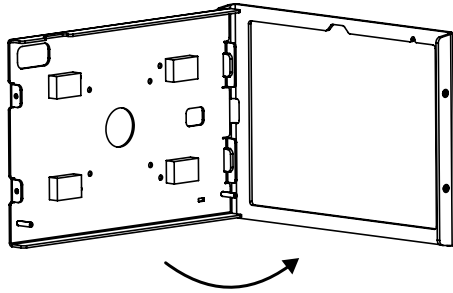
1



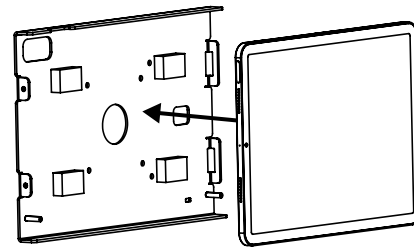
Or



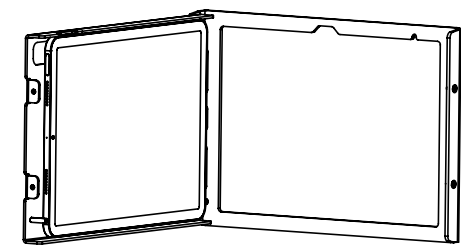
2



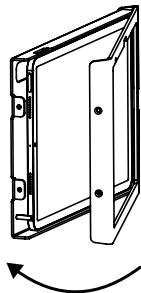
3



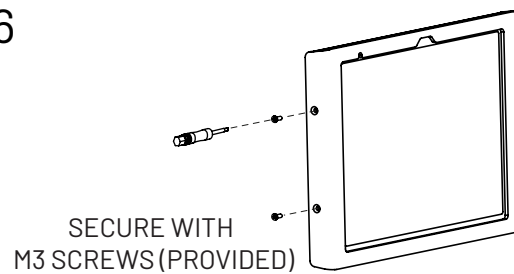
4



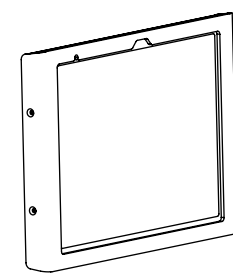
5



6



7



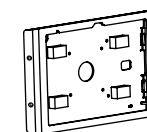
IN THE BOX



Torx Screwdriver



M3x10mm tamper proof screws



Swell enclosure

# Space

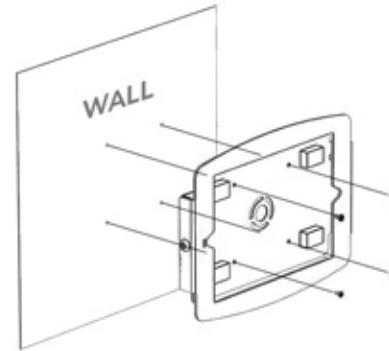
## Assembly Instructions

1

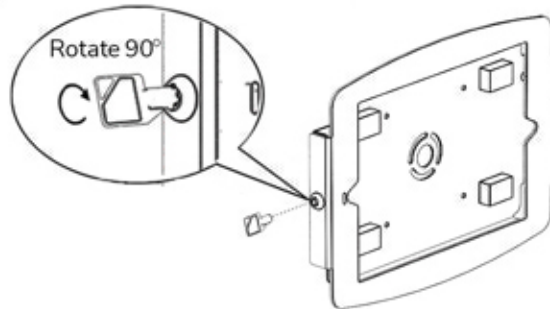


FOLLOW STAND  
MOUNTING INSTRUCTIONS

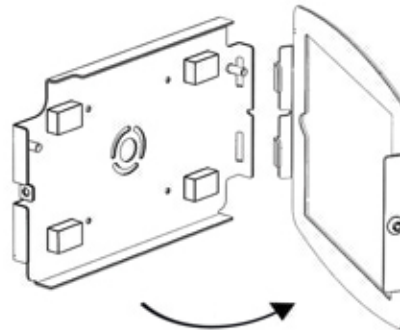
or



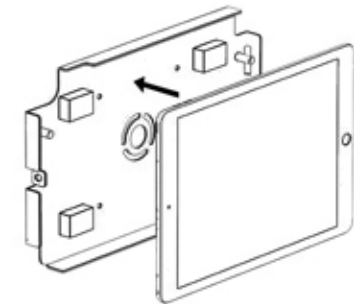
2



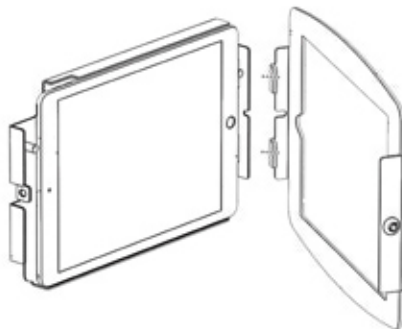
3



4



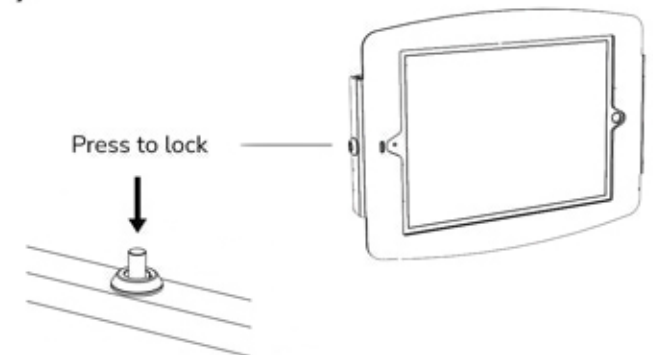
5



6



7

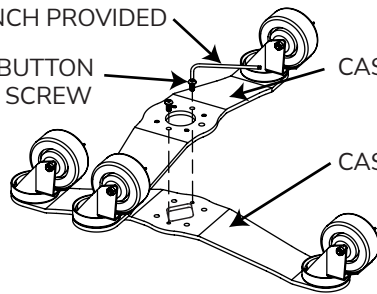


## Assembly Instructions

1 PLACE CASTER ASSEMBLY ON FLOOR WITH CASTERS FACING UPWARDS

TIGHTEN USING  
TORX WRENCH PROVIDED

M6 x 12mm BUTTON  
HEAD TORX SCREW



CASTER ASSEMBLY WITH  
ROUND HOLE

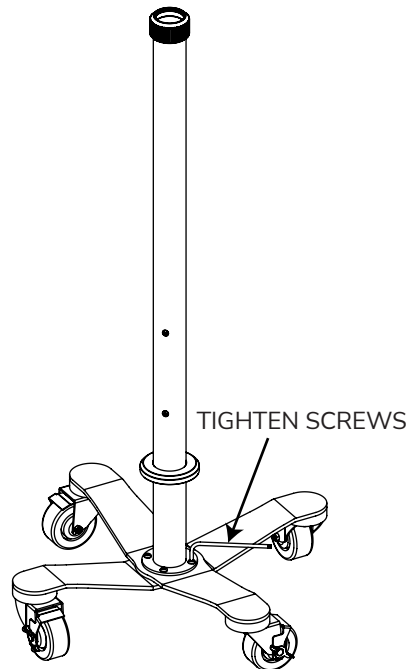
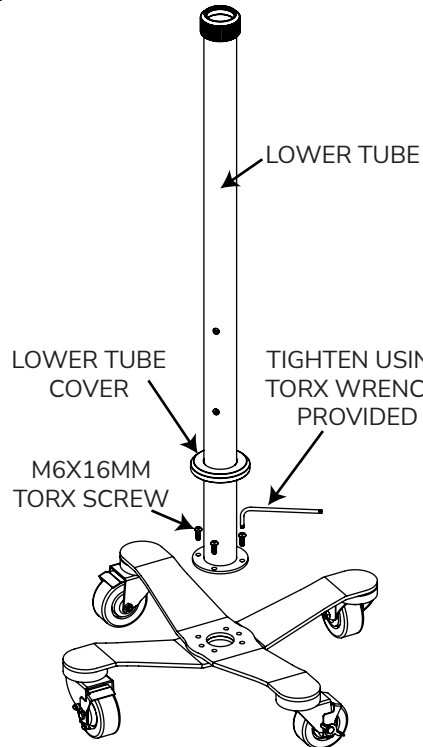
CASTER ASSEMBLY WITH  
SQUARE HOLE

4

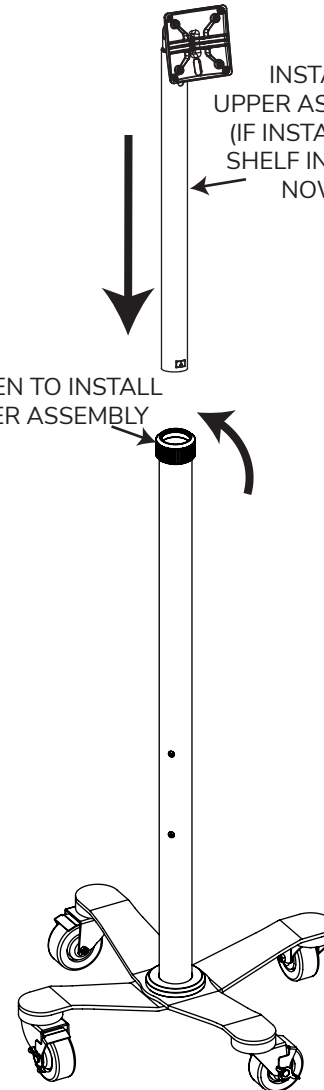
5

2

3



LOOSEN TO INSTALL  
UPPER ASSEMBLY



INSTALL  
UPPER ASSEMBLY  
(IF INSTALLING  
SHELF INSTALL  
NOW)

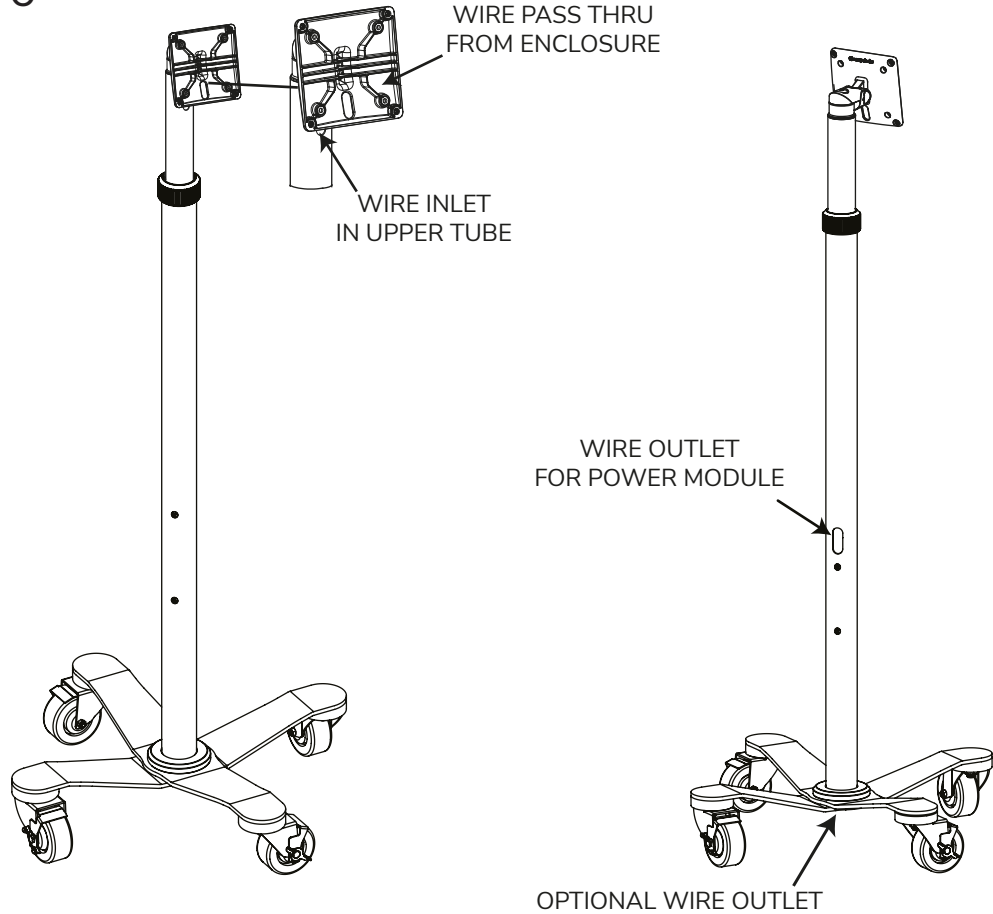
TIGHTEN AFTER  
INSTALLATION  
AT DESIRED  
WORKING HEIGHT

42.3"  
107.5cm

58.9"  
149.6cm

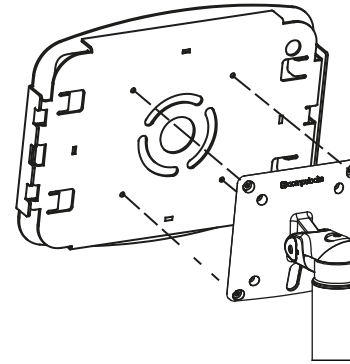
## Assembly Instructions

6

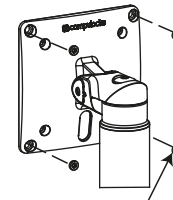


7

INSTALL YOUR TABLET ENCLOSURE AS SHOWN USING M4 SCREWS PROVIDED WITH RISE FREEDOM



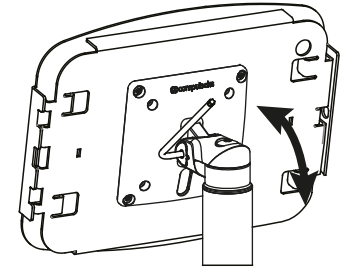
IF MOUNTING TO A MONITOR



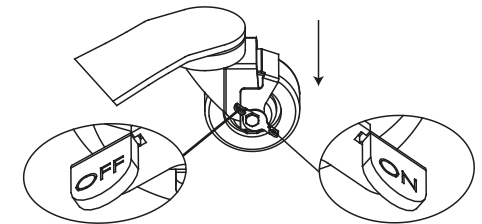
REMOVE M4 PRESS IN NUTS

8

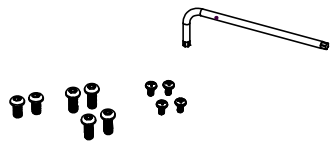
ADJUST TILT / TENSION



LOCKING THE CASTER

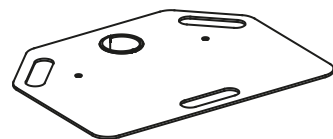


### IN THE BOX

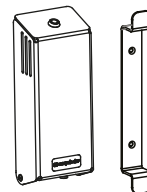


Hardware Kit

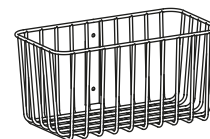
### ACCESSORIES



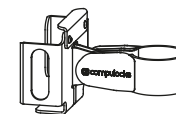
Keyboard / Writing Shelf Kit



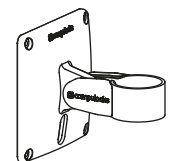
Power Module Kit



Accessory Basket Kit



JBL GO 2 Speaker Bracket



Single Add On Bracket Kit