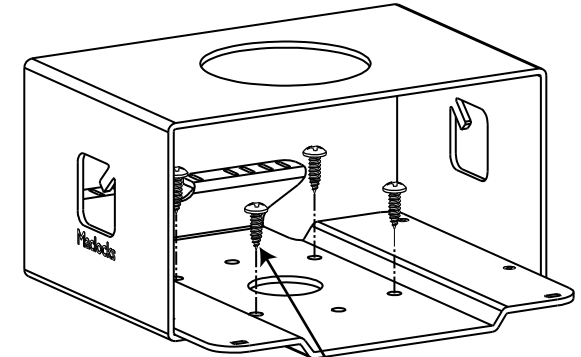
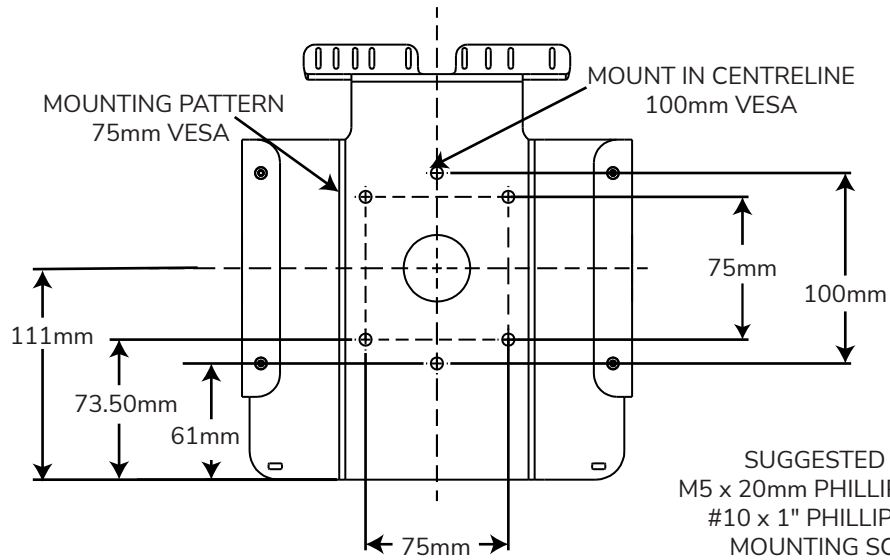


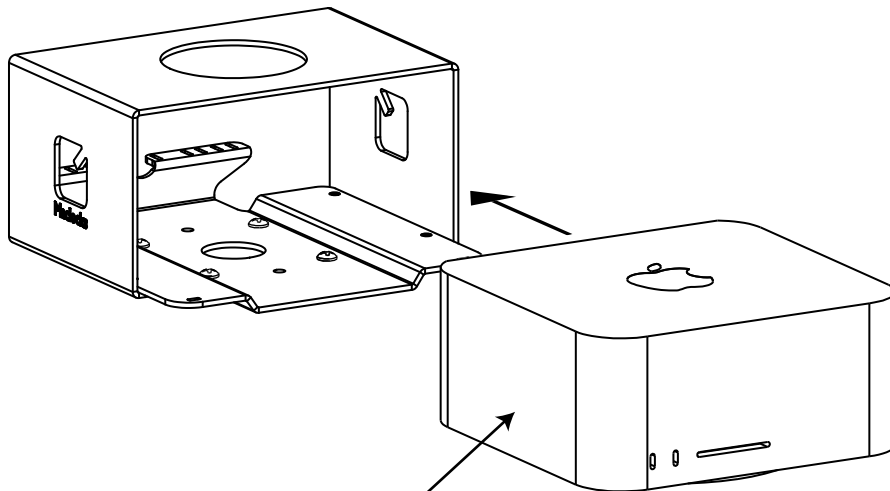
Assembly Instructions

1



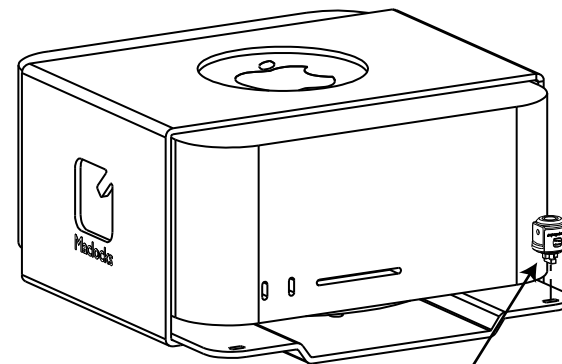
MOUNT TO FLAT SURFACE OR
VESA COMPATIBLE DEVICE

2



INSTALL MAC STUDIO

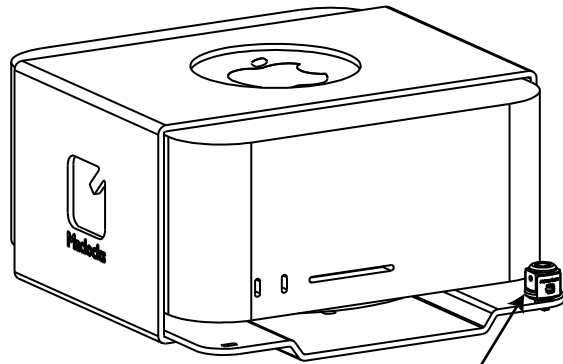
3



INSTALL LOCK HEAD

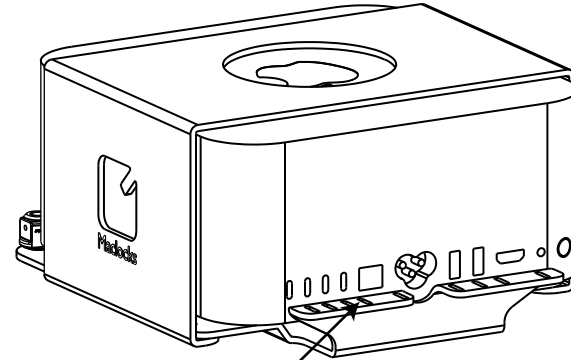
Assembly Instructions

4



LOCK LOCK HEAD

5



CABLE TIE SLOTS ARE PROVIDED TO SECURE CABLES

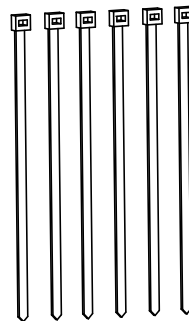
IN THE BOX



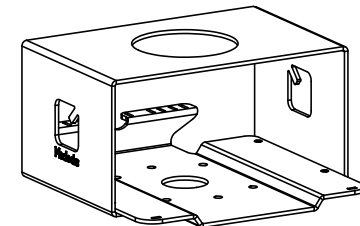
Keyed Lock Head



Keys



6mm X 150mm Cable Tie



Mac Studio Security Mount