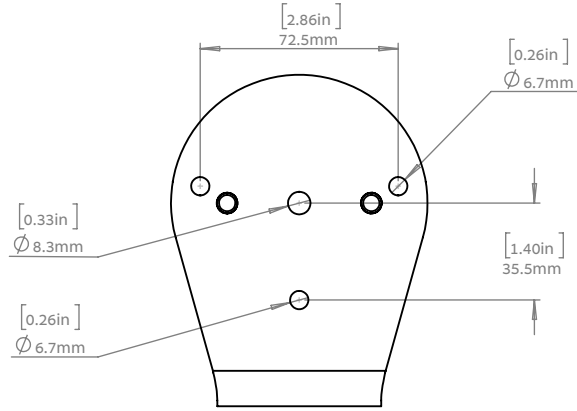
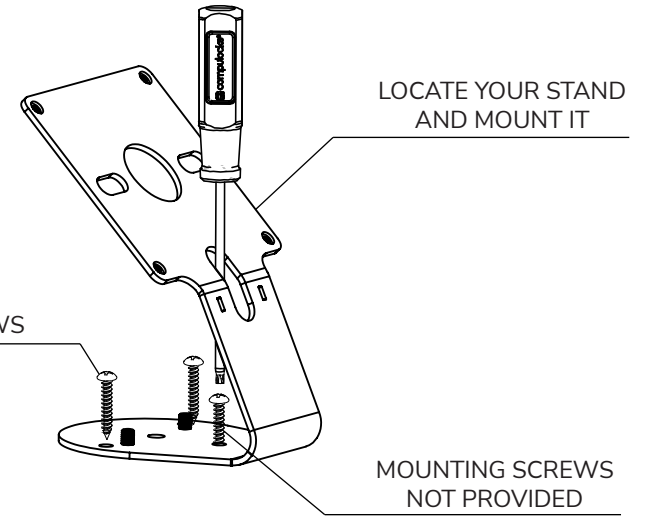


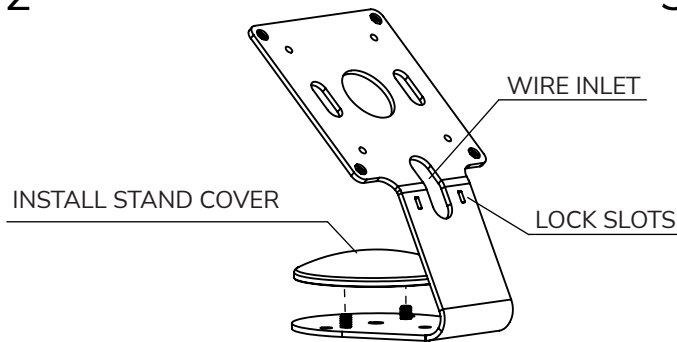
COUNTER MOUNTING PATTERN



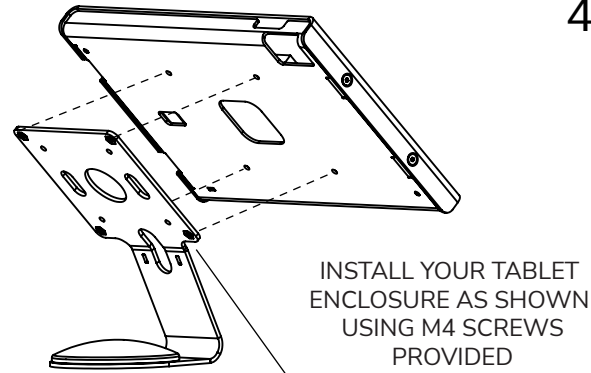
1



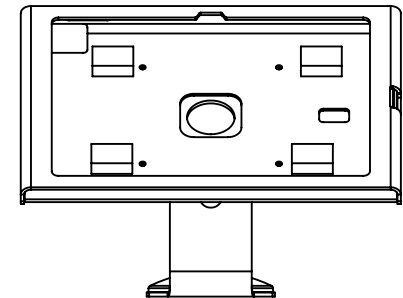
2



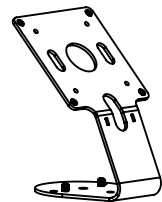
3



4



IN THE BOX



Fixed Stand

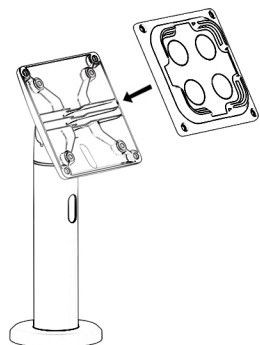


Plastic cover

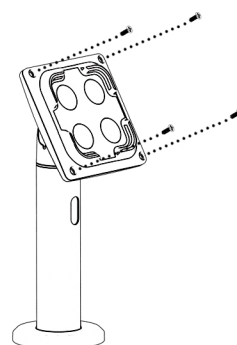


M4x8MM Phillips Screws

1



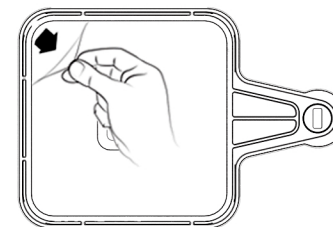
2



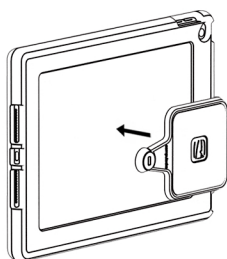
VESA 100\*100



3



4

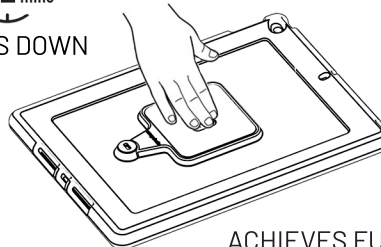


CLEAN MOUNTING AREA  
WITH ALCOHOL WIPES PROVIDED

5

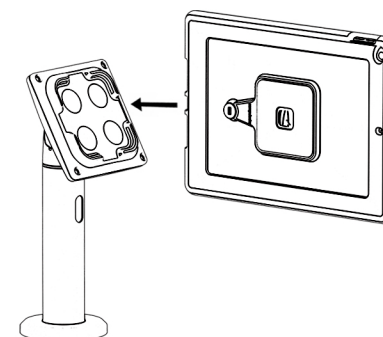


PRESS DOWN

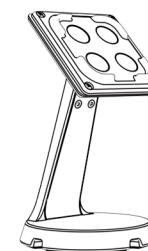
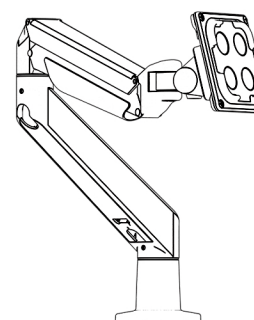
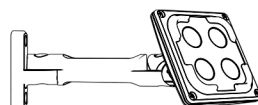
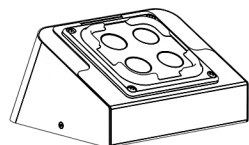


ACHIEVES FULL STRENGTH  
AFTER 24 HOURS

6



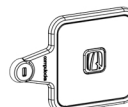
FITS VESA 100\*100 MOUNT STANDS



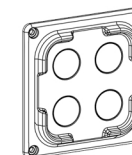
IN THE BOX



Alcohol Wipes



Tablet Bracket



Stand Bracket