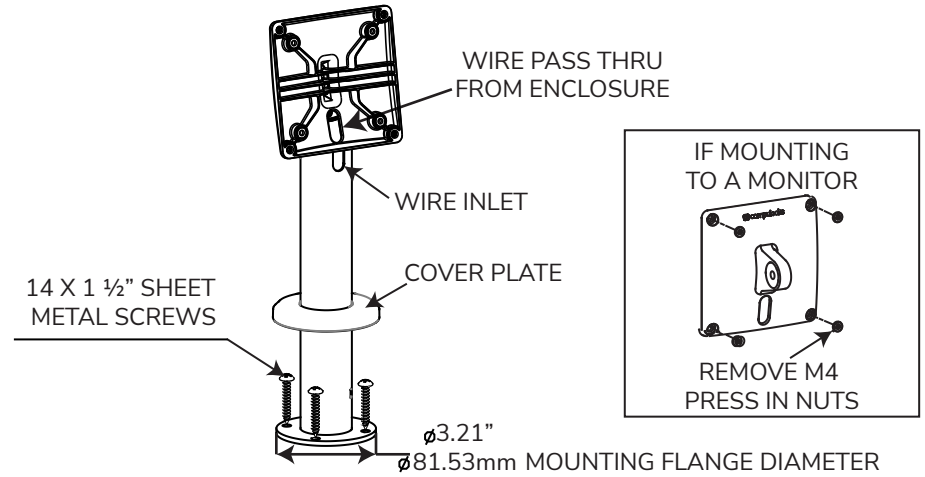
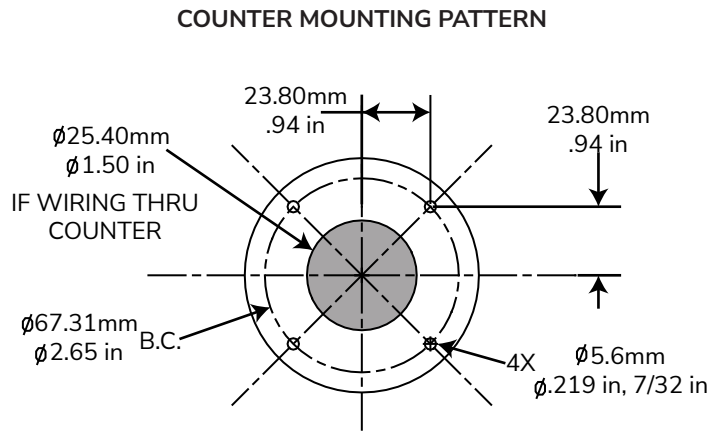


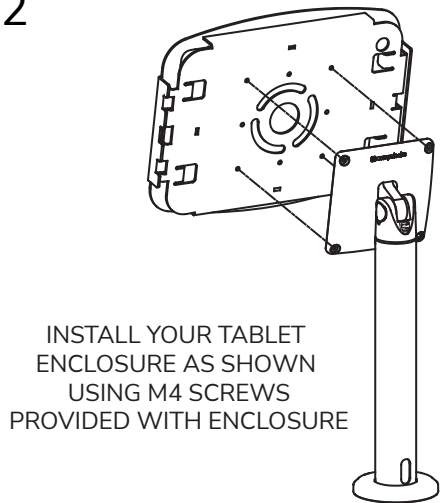
Assembly Instructions

Installation On Counter Top

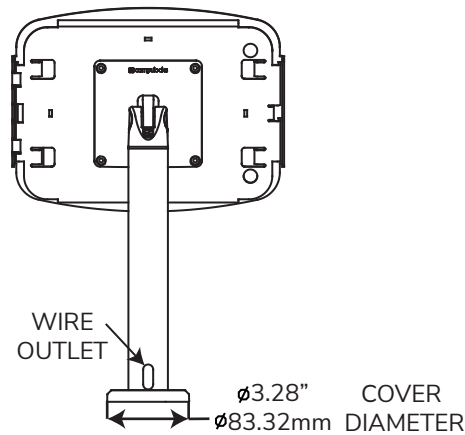
1



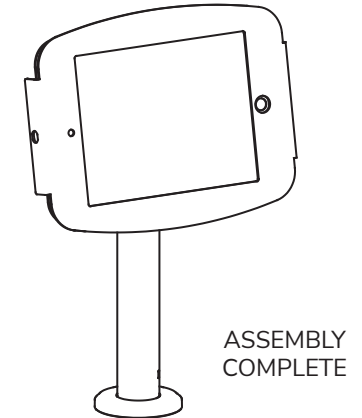
2



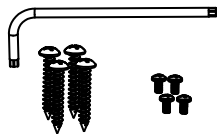
3



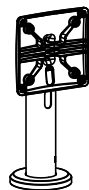
4



IN THE BOX



Hardware Kit



Fixed Pole Stand

ACCESSORIES



Adhesive Base



Single Add On Bracket

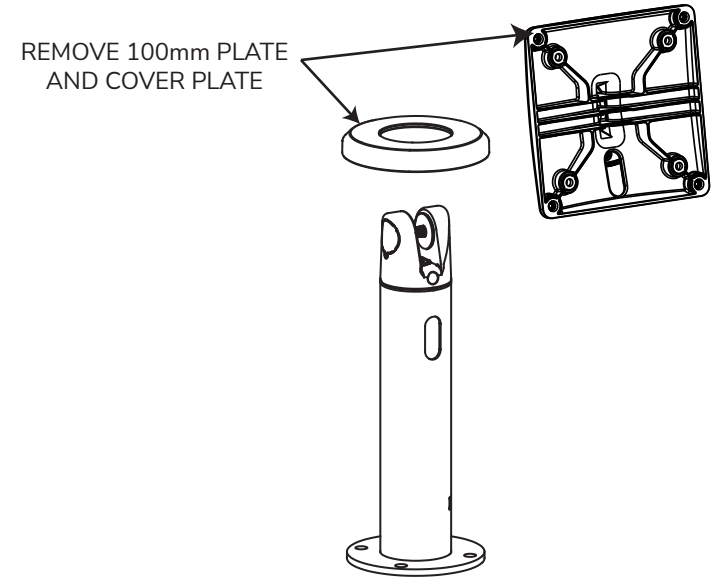
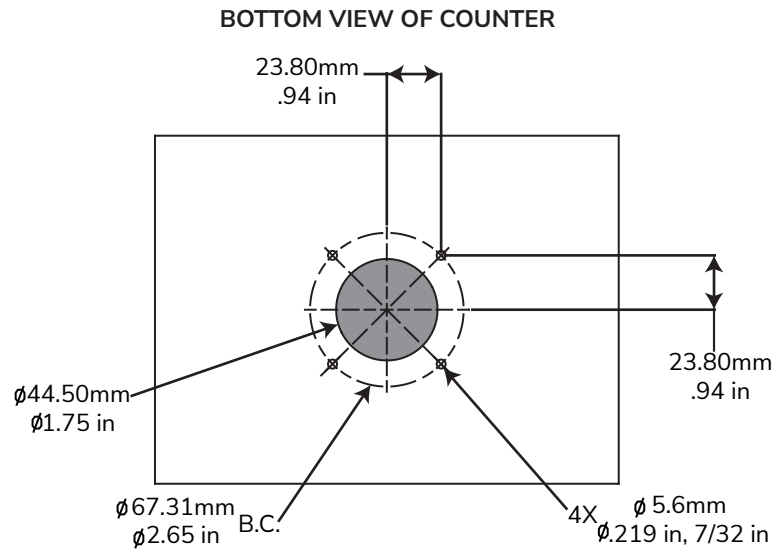


Free Standing Base

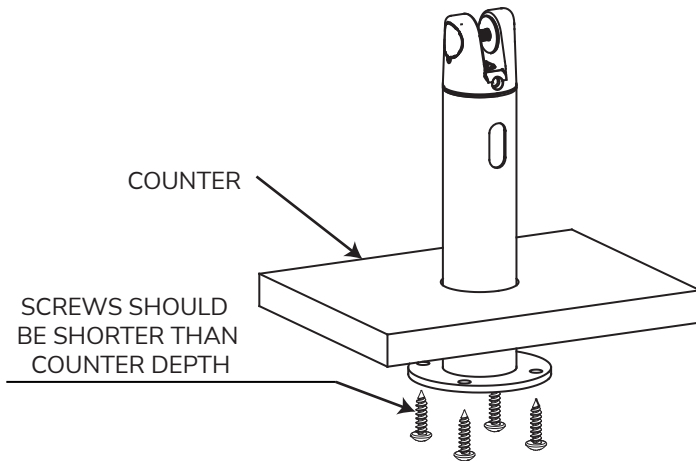
Assembly Instructions

Installation Below Counter

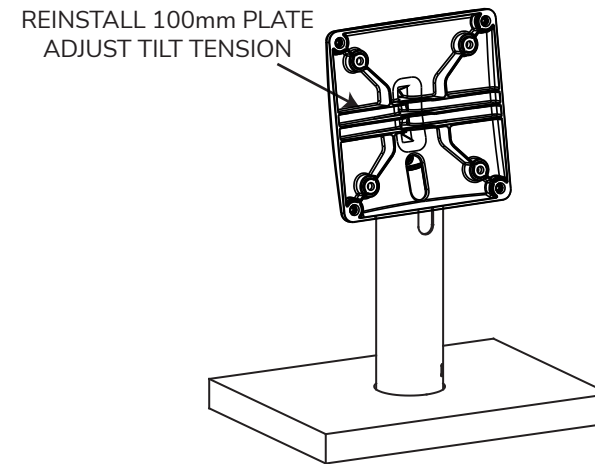
1



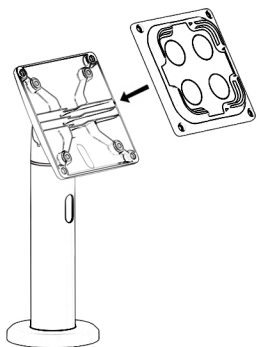
2



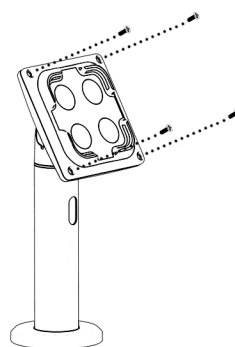
3



1



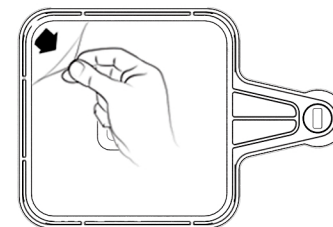
2



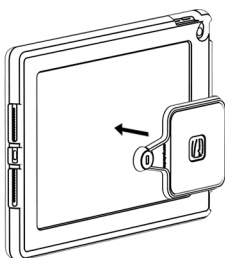
VESA 100*100



3



4

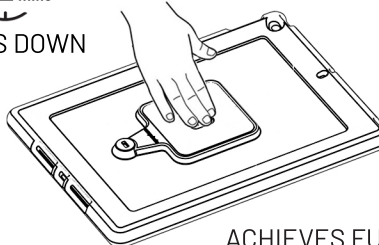


CLEAN MOUNTING AREA
WITH ALCOHOL WIPES PROVIDED

5

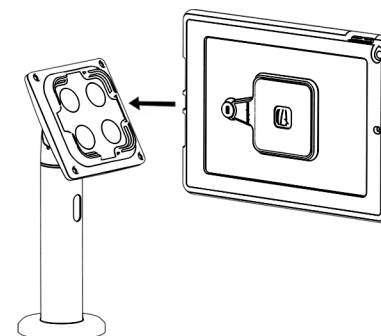


PRESS DOWN

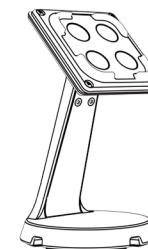
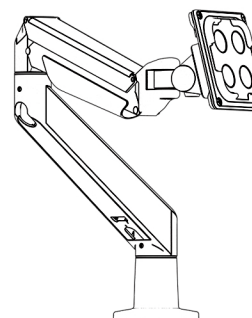
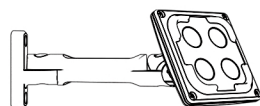
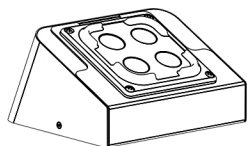


ACHIEVES FULL STRENGTH
AFTER 24 HOURS

6



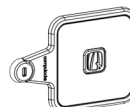
FITS VESA 100*100 MOUNT STANDS



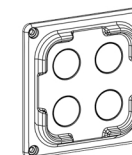
IN THE BOX



Alcohol Wipes



Tablet Bracket



Stand Bracket