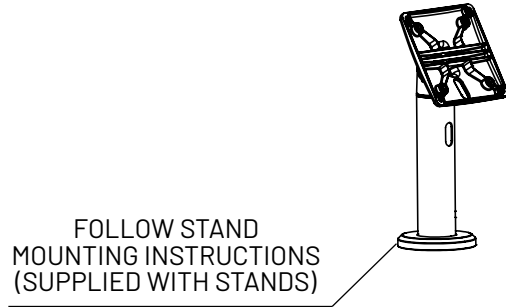
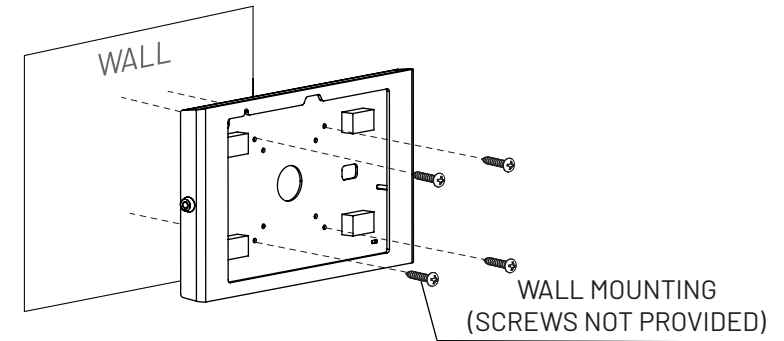


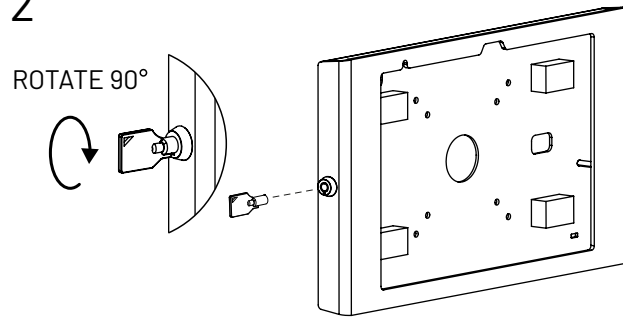
1



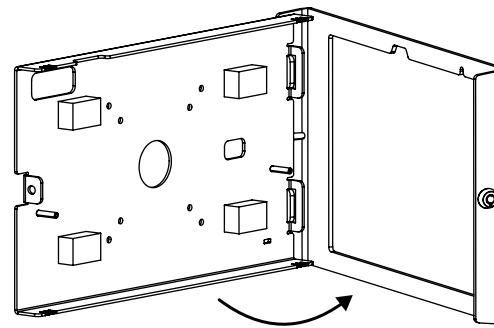
Or



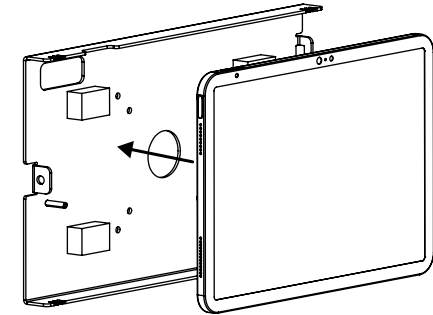
2



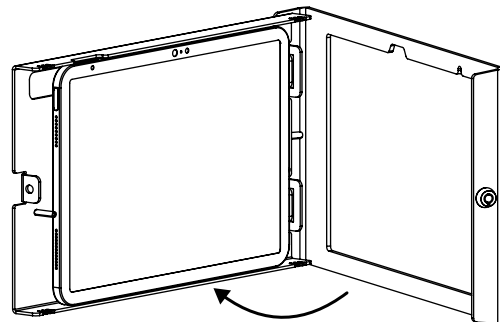
3



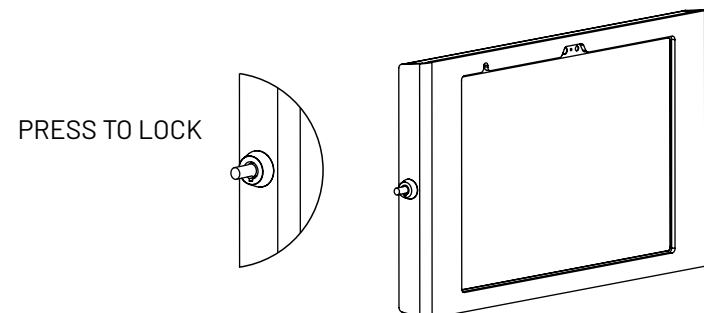
4



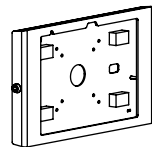
5



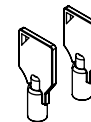
6



IN THE BOX



Apex Enclosure



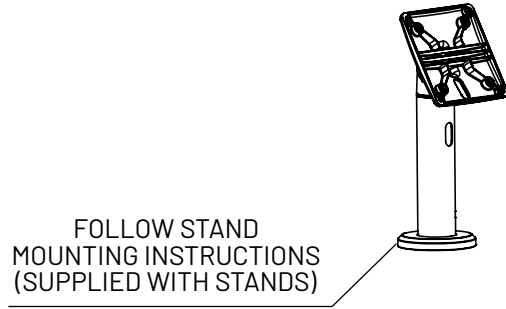
Keys

Swell Enclosure

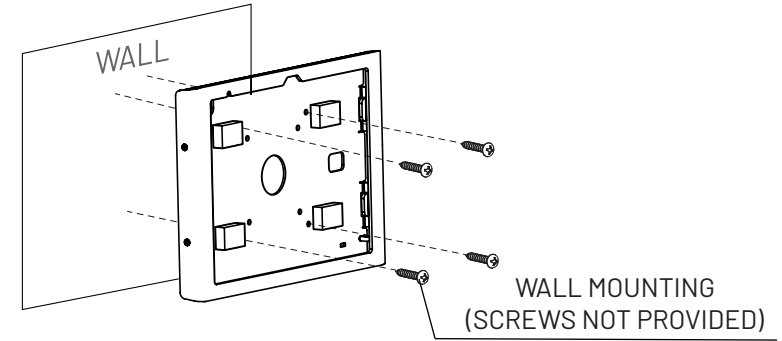
Assembly Instructions

COMPULOCKS

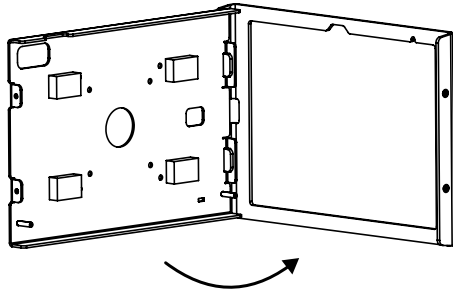
1



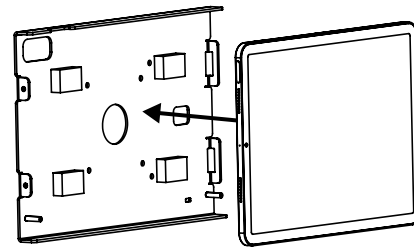
Or



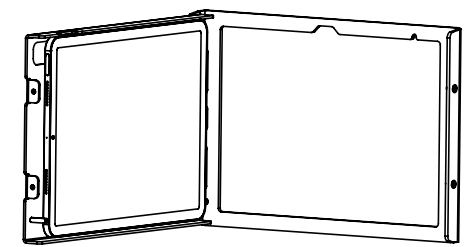
2



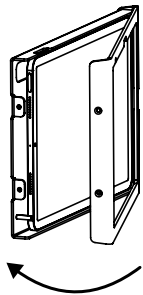
3



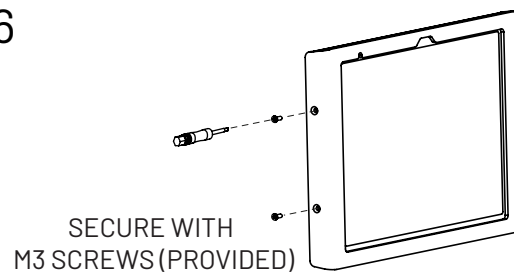
4



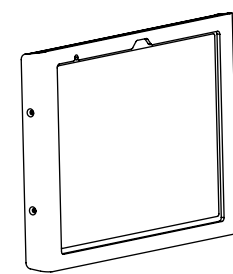
5



6



7



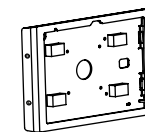
IN THE BOX



Torx Screwdriver



M3x10mm tamper proof screws



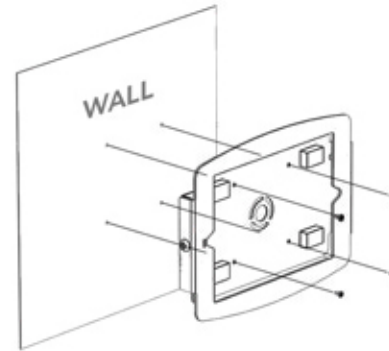
Swell enclosure

1

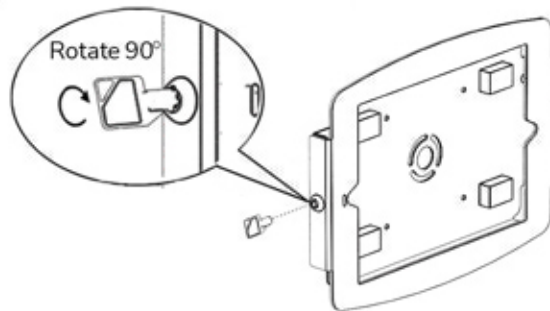


FOLLOW STAND
MOUNTING INSTRUCTIONS

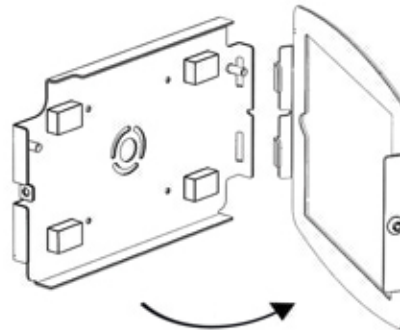
or



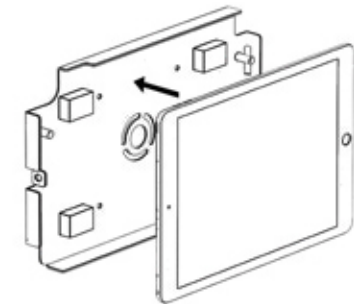
2



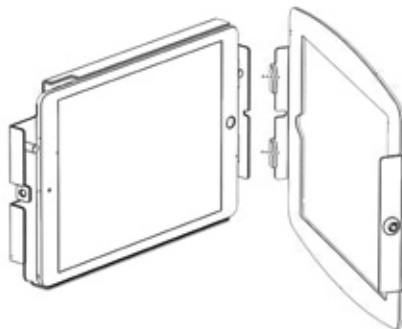
3



4



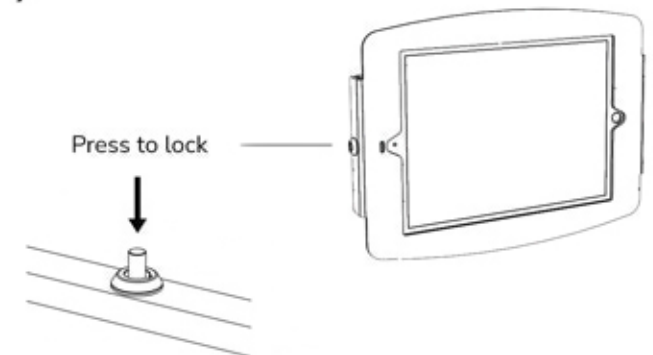
5



6



7

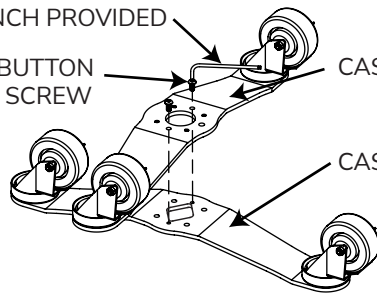


Assembly Instructions

1 PLACE CASTER ASSEMBLY ON FLOOR WITH CASTERS FACING UPWARDS

TIGHTEN USING
TORX WRENCH PROVIDED

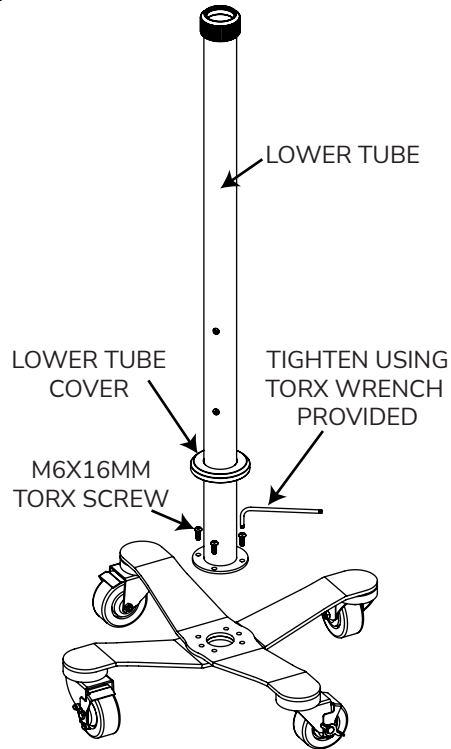
M6 x 12mm BUTTON
HEAD TORX SCREW



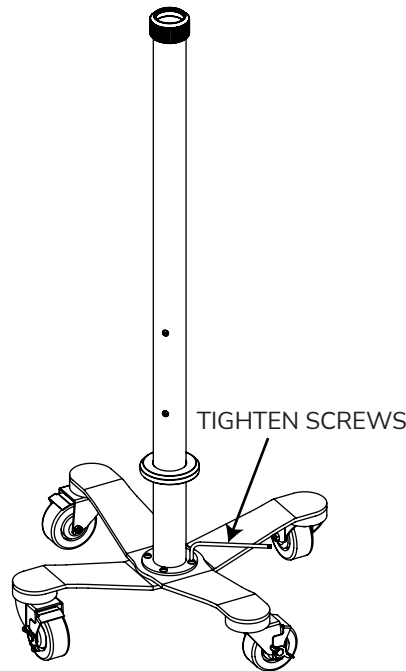
CASTER ASSEMBLY WITH
ROUND HOLE

CASTER ASSEMBLY WITH
SQUARE HOLE

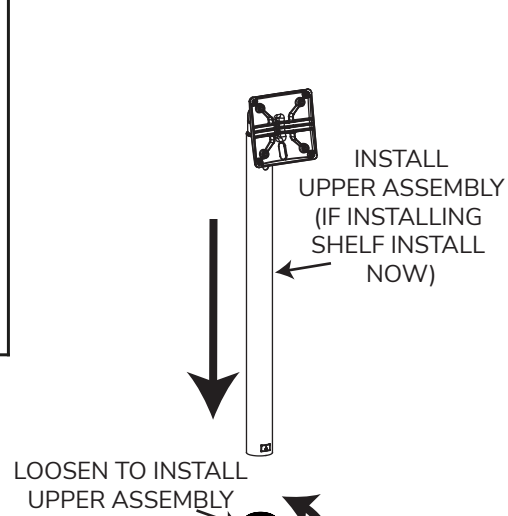
2



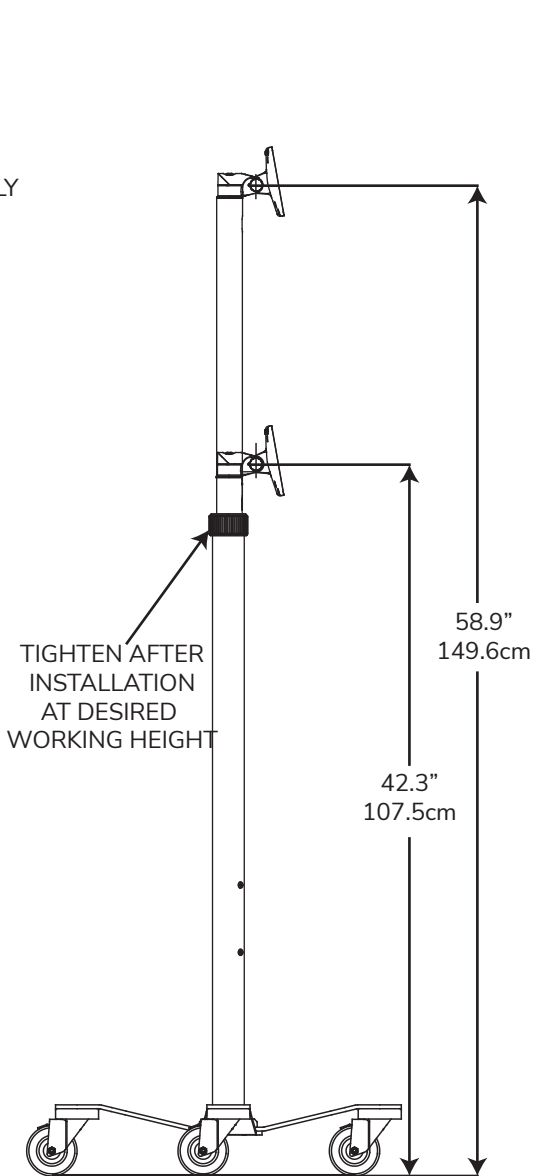
3



4

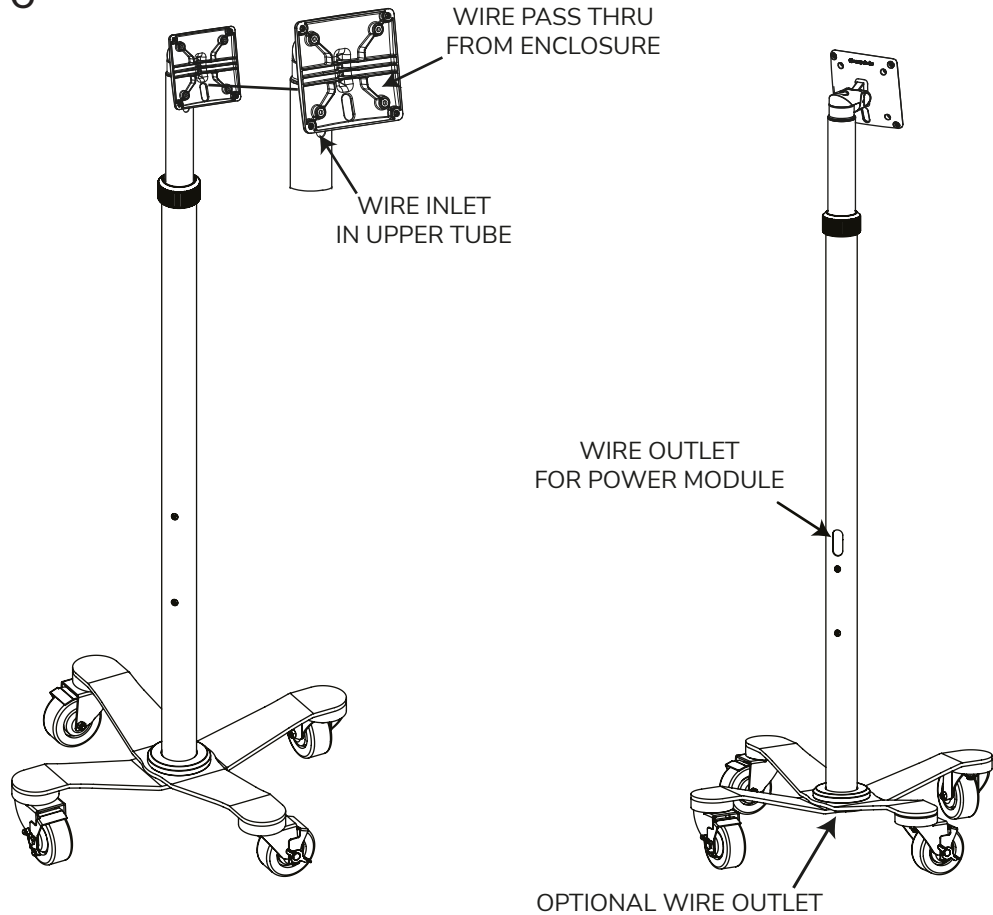


5



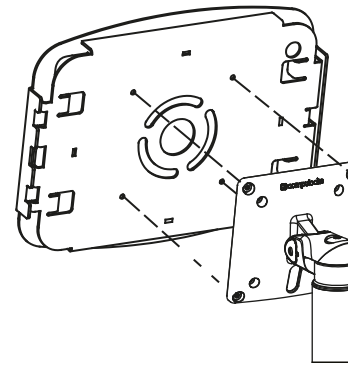
Assembly Instructions

6

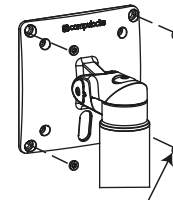


7

INSTALL YOUR TABLET ENCLOSURE AS SHOWN USING M4 SCREWS PROVIDED WITH RISE FREEDOM



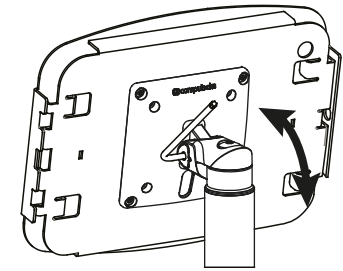
IF MOUNTING TO A MONITOR



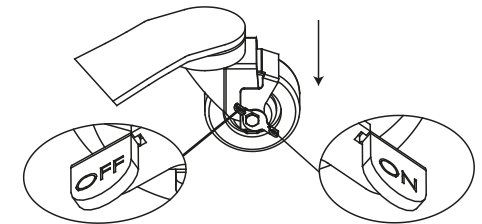
REMOVE M4 PRESS IN NUTS

8

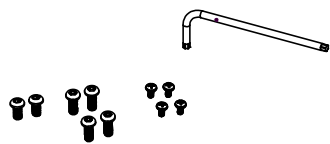
ADJUST TILT / TENSION



LOCKING THE CASTER

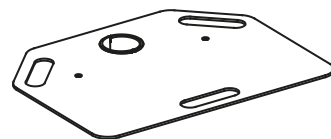


IN THE BOX

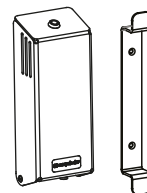


Hardware Kit

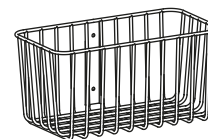
ACCESSORIES



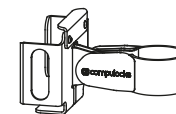
Keyboard / Writing Shelf Kit



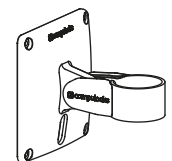
Power Module Kit



Accessory Basket Kit



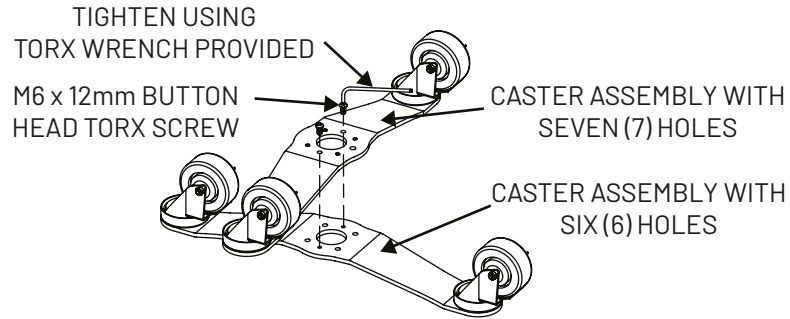
JBL GO 2 Speaker Bracket



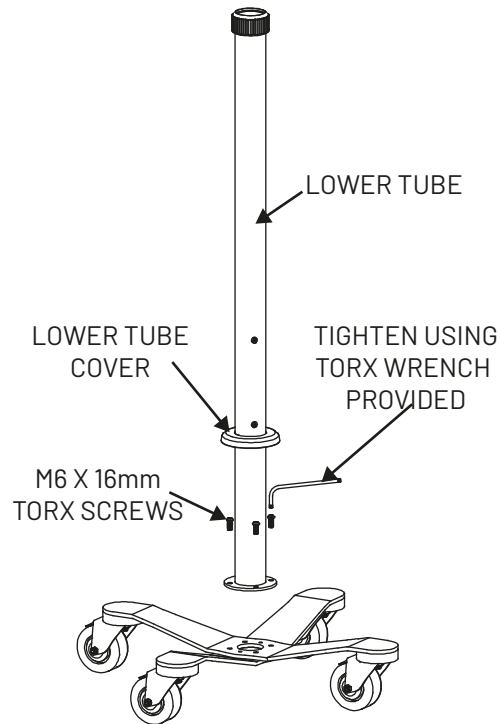
Single Add On Bracket Kit

Assembly Instructions

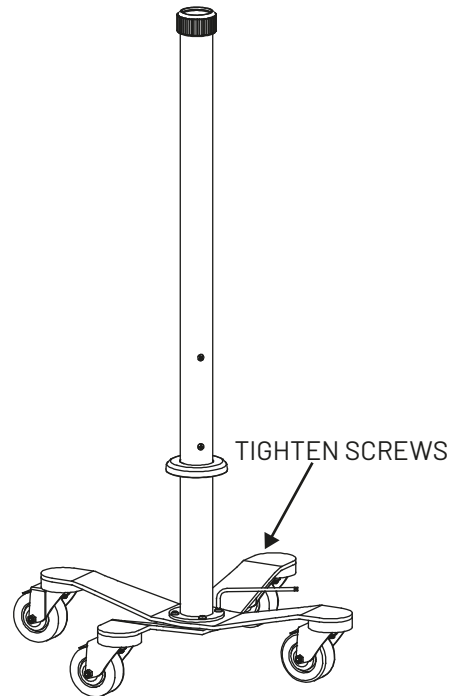
1 PLACE CASTER ASSEMBLY ON FLOOR WITH CASTERS FACING UPWARDS



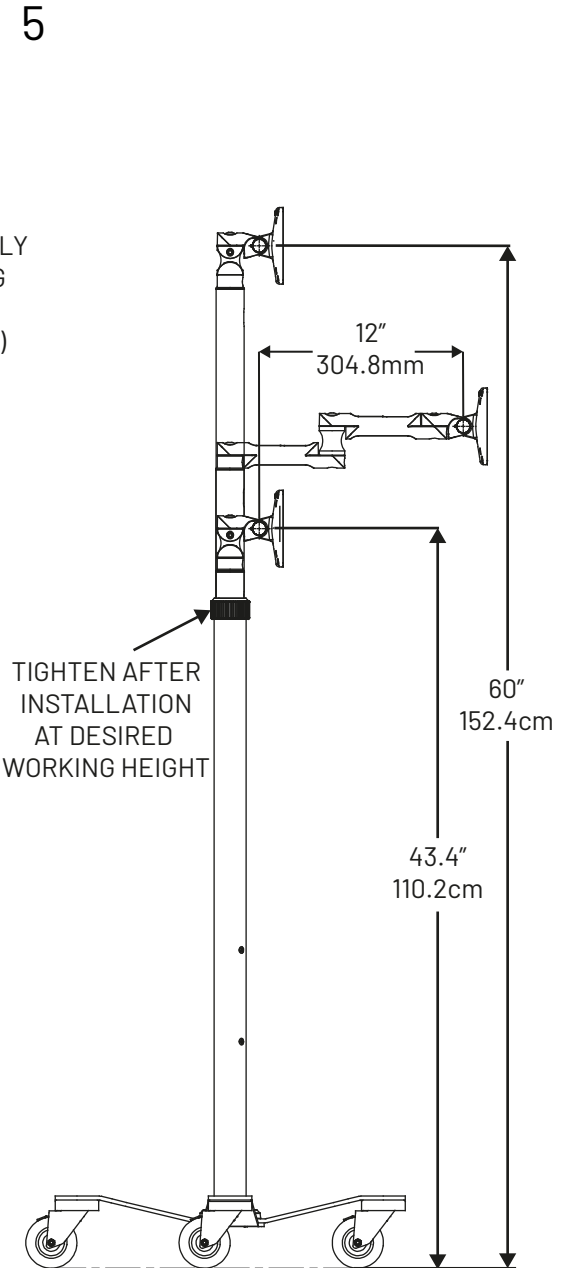
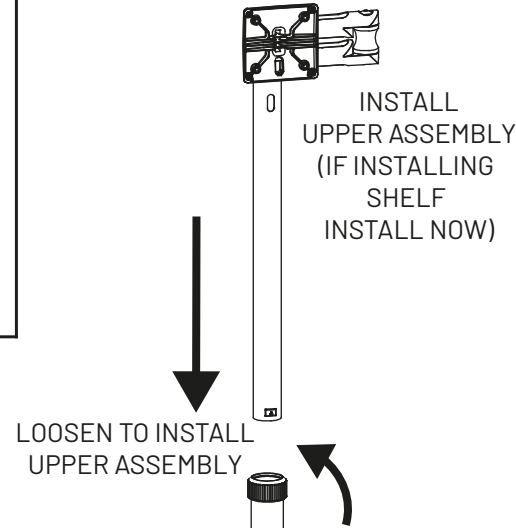
2



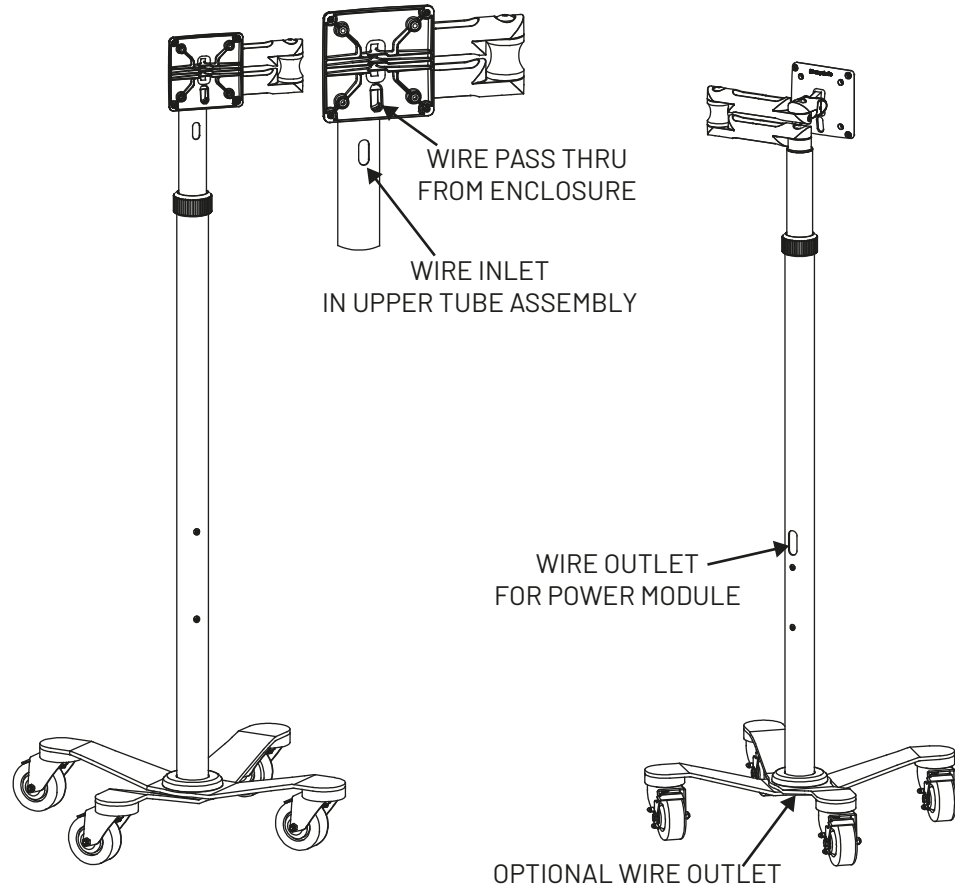
3



4

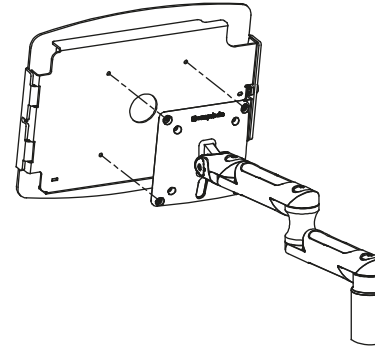


6

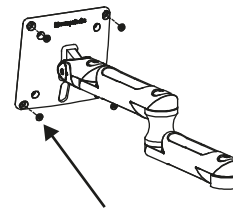


7

INSTALL YOUR TABLET ENCLOSURE AS SHOWN USING M4 SCREWS PROVIDED WITH RISE FREEDOM EXTENDED ROLLING STAND



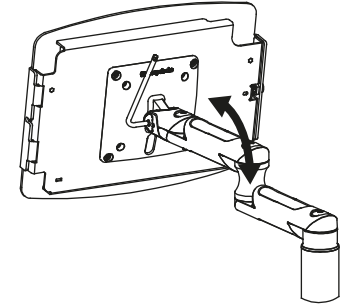
IF MOUNTING TO A MONITOR



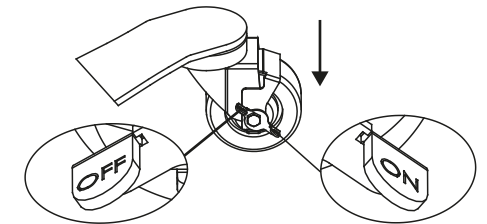
REMOVE M4 PRESS IN NUTS

8

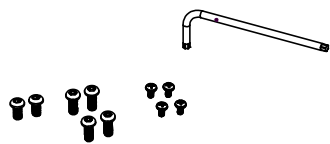
ADJUST TILT / TENSION



LOCKING THE CASTER

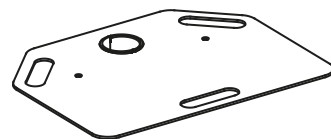


IN THE BOX

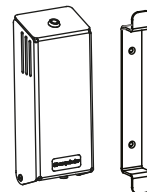


Hardware Kit

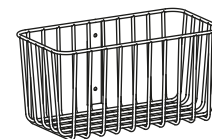
ACCESSORIES



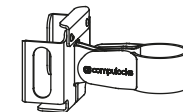
Keyboard / Writing Shelf Kit



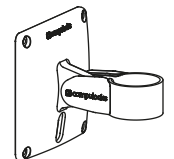
Power Module Kit



Accessory Basket Kit



JBL GO 2 Speaker Bracket



Single Add On Bracket Kit