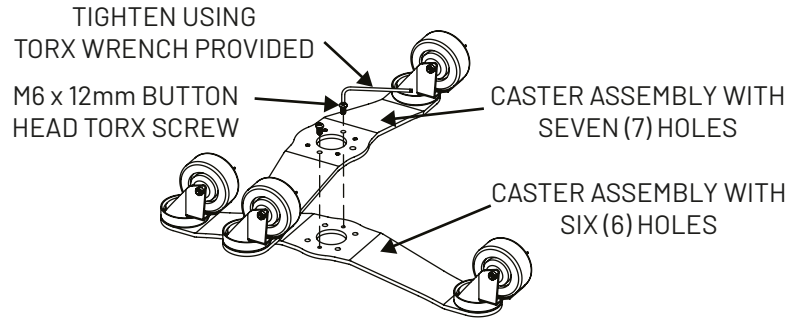
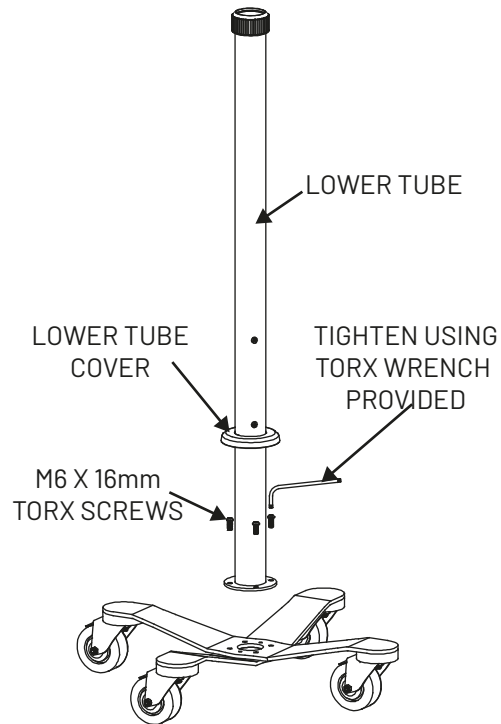


## Assembly Instructions

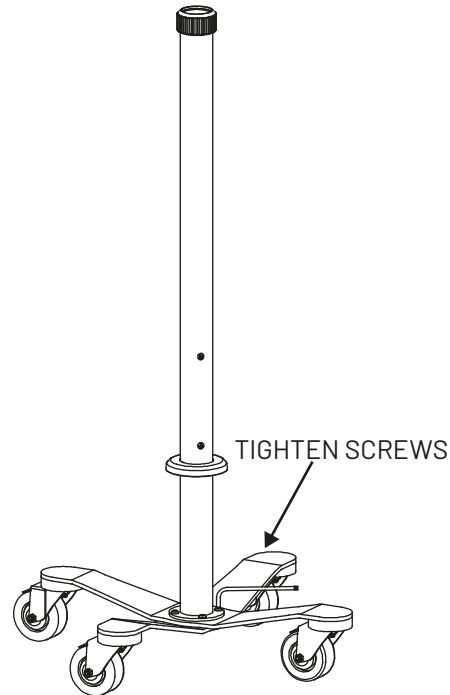
1 PLACE CASTER ASSEMBLY ON FLOOR WITH CASTERS FACING UPWARDS



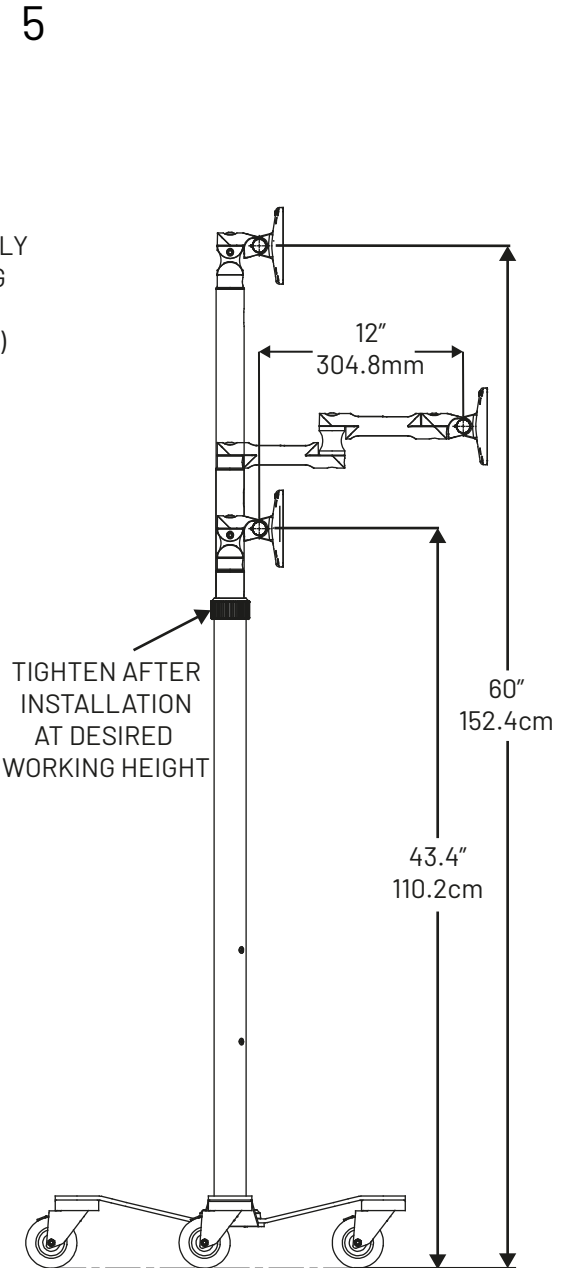
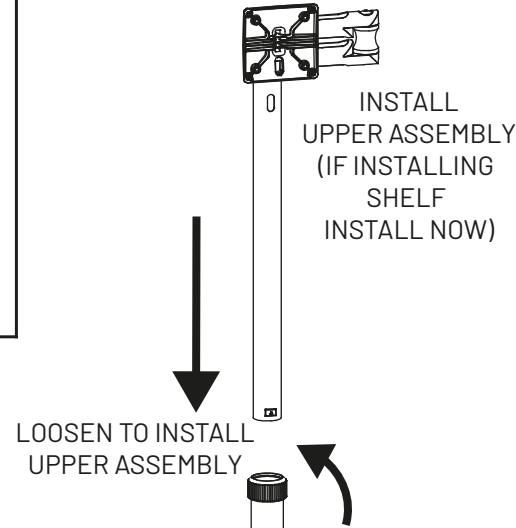
2



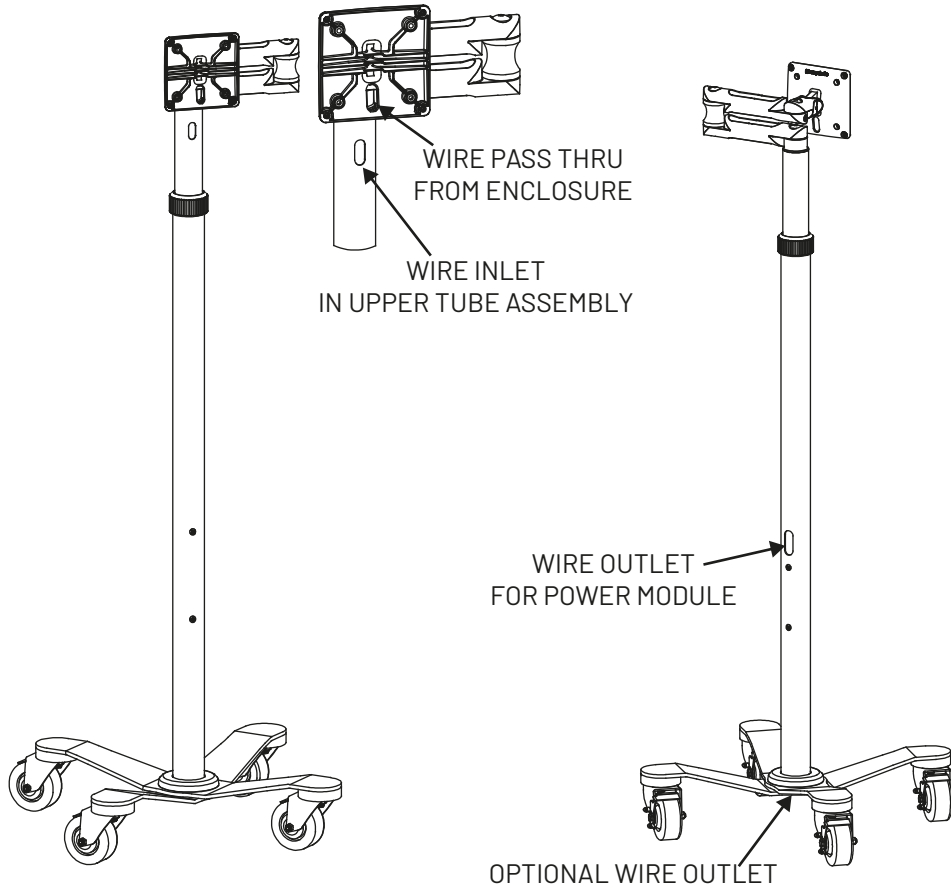
3



4

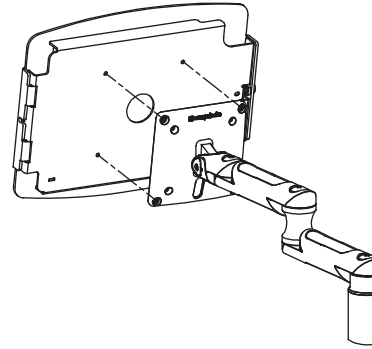


6

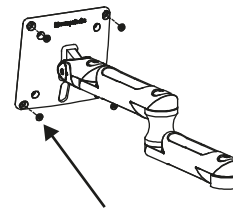


7

INSTALL YOUR TABLET ENCLOSURE AS SHOWN USING M4 SCREWS PROVIDED WITH RISE FREEDOM EXTENDED ROLLING STAND



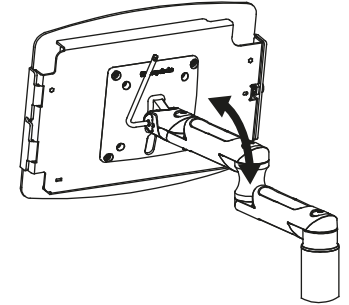
IF MOUNTING TO A MONITOR



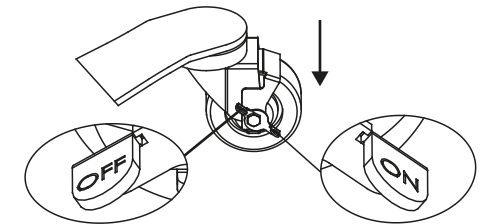
REMOVE M4 PRESS IN NUTS

8

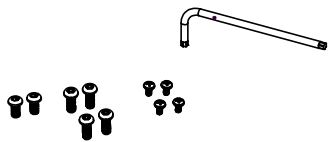
ADJUST TILT / TENSION



LOCKING THE CASTER

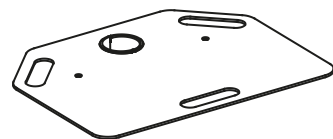


### IN THE BOX

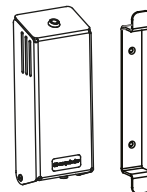


Hardware Kit

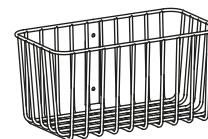
### ACCESSORIES



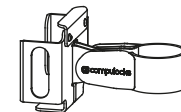
Keyboard / Writing Shelf Kit



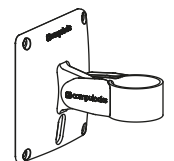
Power Module Kit



Accessory Basket Kit



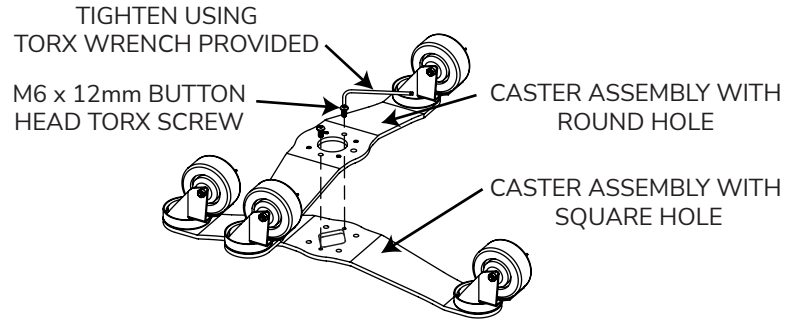
JBL GO 2 Speaker Bracket



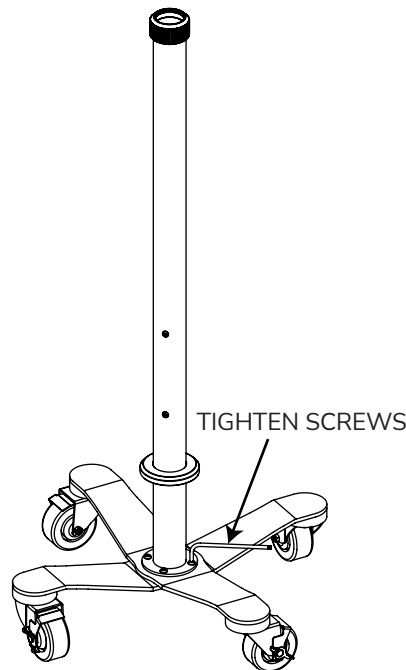
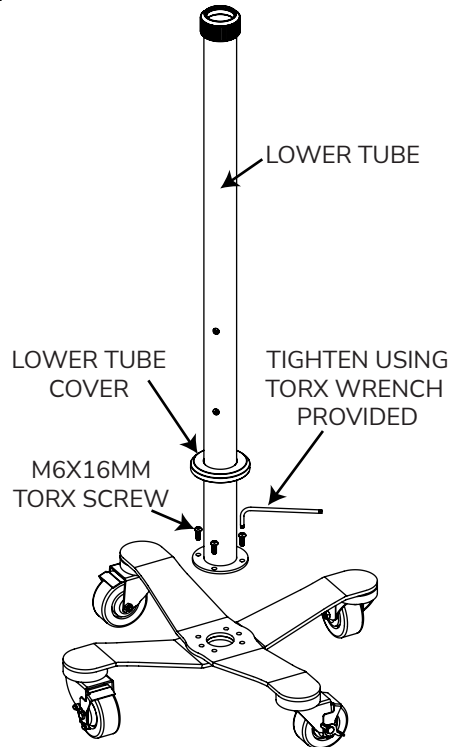
Single Add On Bracket Kit

## Assembly Instructions

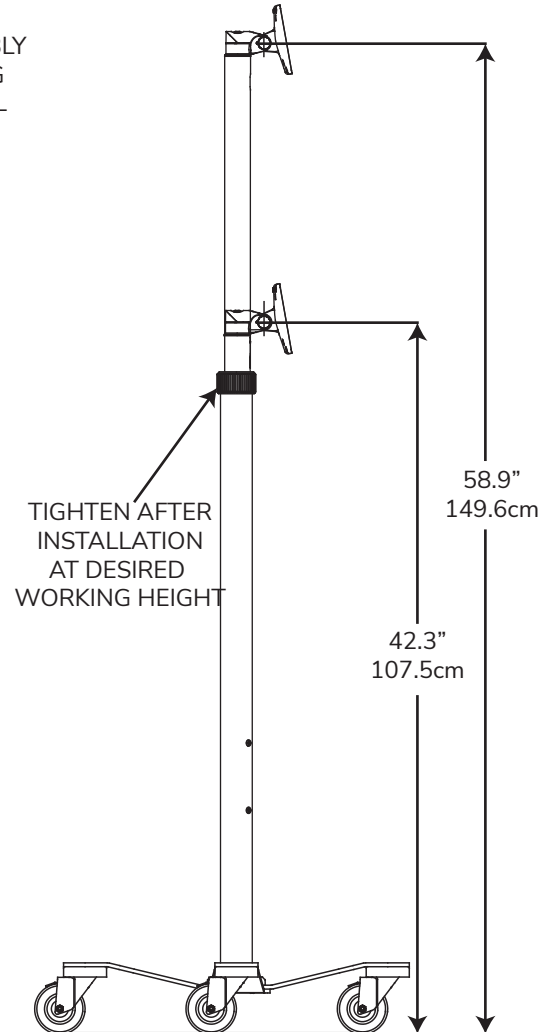
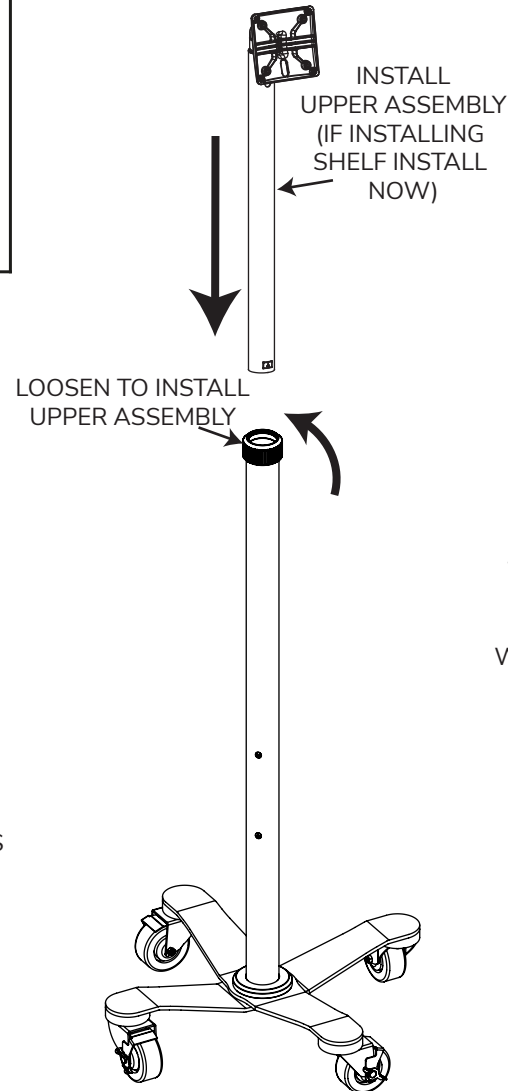
**1** PLACE CASTER ASSEMBLY ON FLOOR WITH CASTERS FACING UPWARDS



**2** **3**

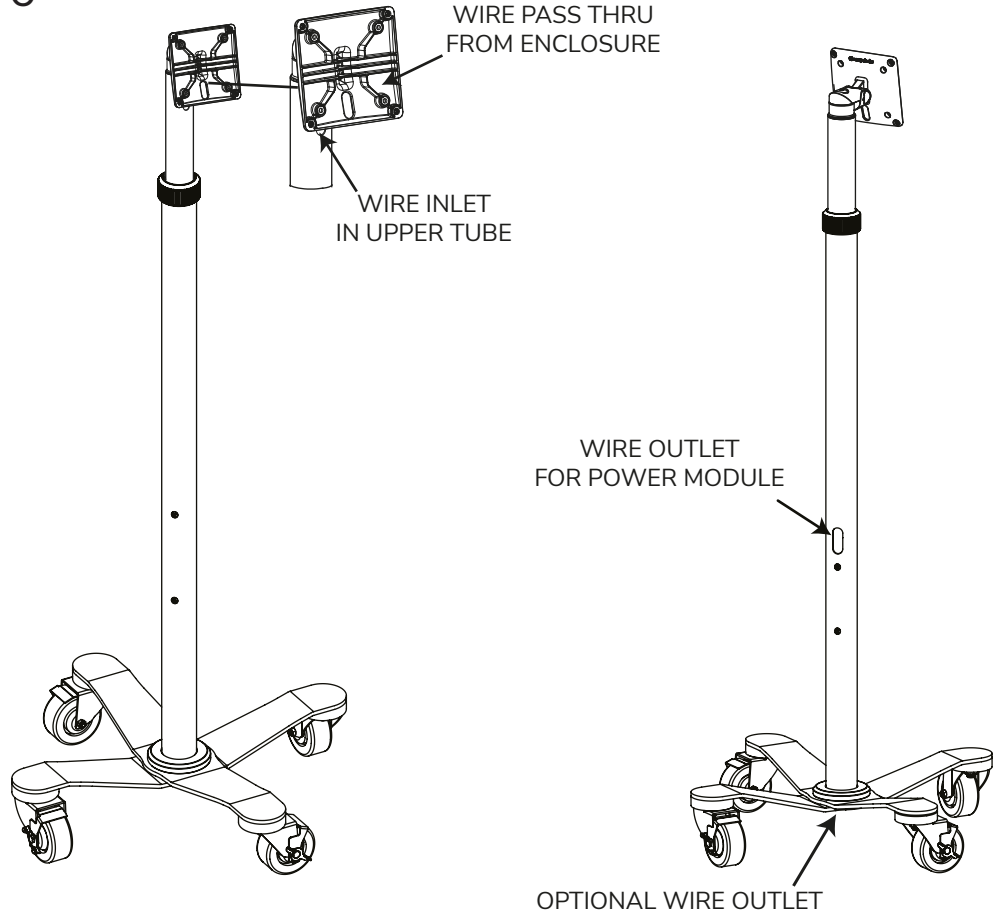


**4** **5**



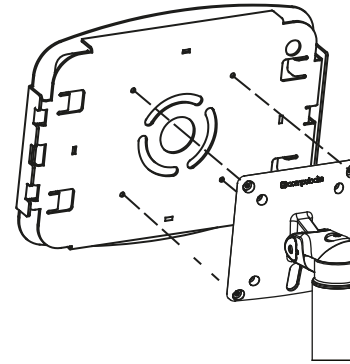
## Assembly Instructions

6

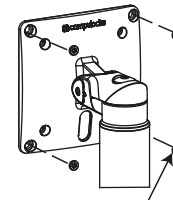


7

INSTALL YOUR TABLET ENCLOSURE AS SHOWN USING M4 SCREWS PROVIDED WITH RISE FREEDOM



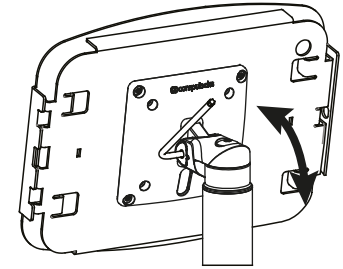
IF MOUNTING TO A MONITOR



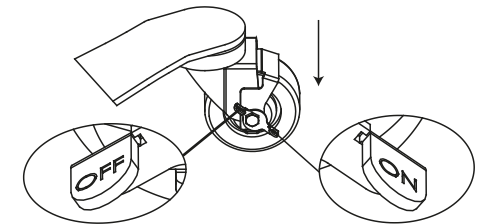
REMOVE M4 PRESS IN NUTS

8

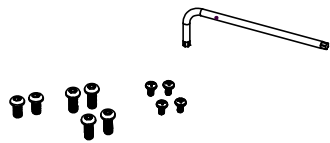
ADJUST TILT / TENSION



LOCKING THE CASTER

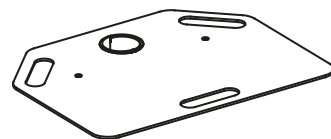


### IN THE BOX

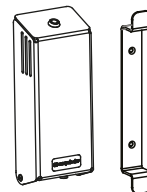


Hardware Kit

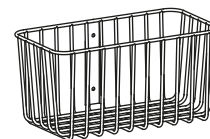
### ACCESSORIES



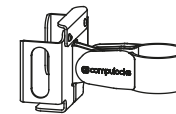
Keyboard / Writing Shelf Kit



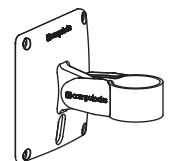
Power Module Kit



Accessory Basket Kit



JBL GO 2 Speaker Bracket



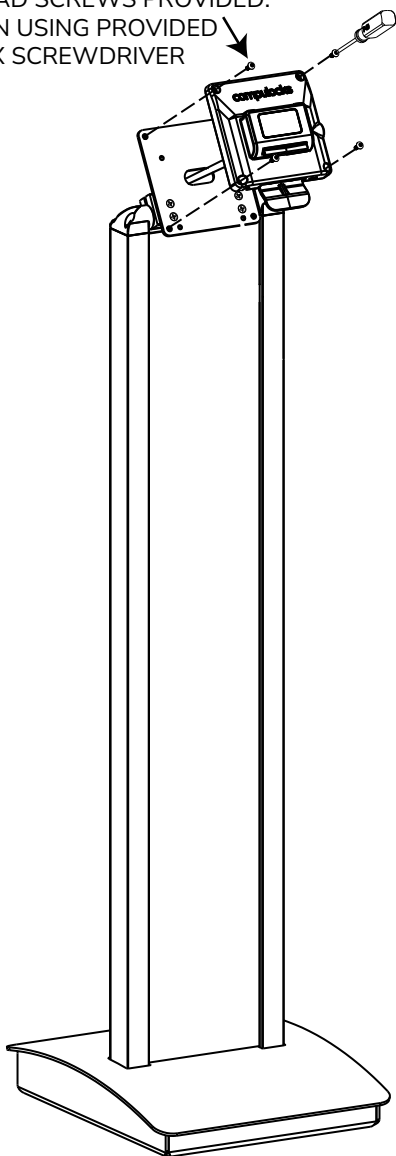
Single Add On Bracket Kit

Assembly Instructions

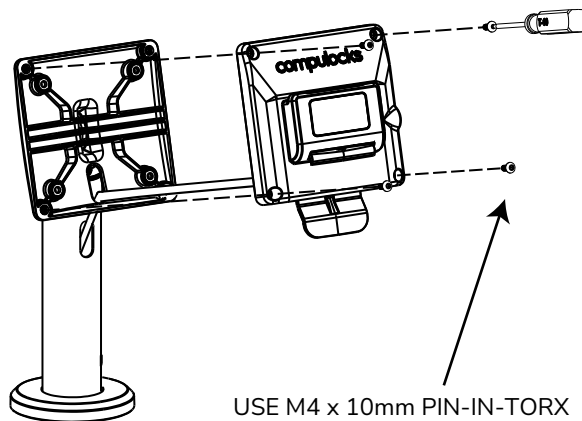
### Mounting Options

#### 1 Floor Stand Mounting

USE M4 x 10mm PIN-IN-TORX  
BUTTON HEAD SCREWS PROVIDED.  
TIGHTEN USING PROVIDED  
TORX SCREWDRIVER

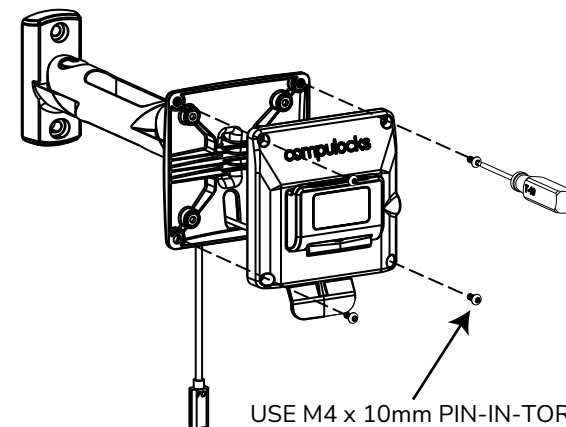


#### 2 Counter Stand Mounting



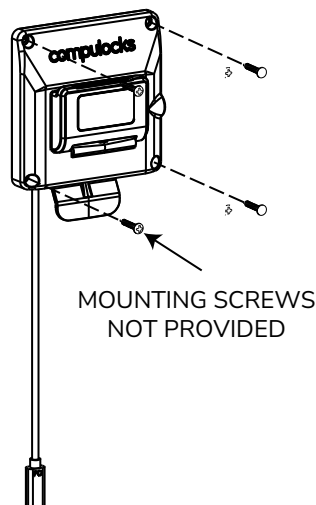
USE M4 x 10mm PIN-IN-TORX  
BUTTON HEAD SCREWS PROVIDED.  
TIGHTEN USING PROVIDED  
TORX SCREWDRIVER

#### 3 Wall Arm Mounting



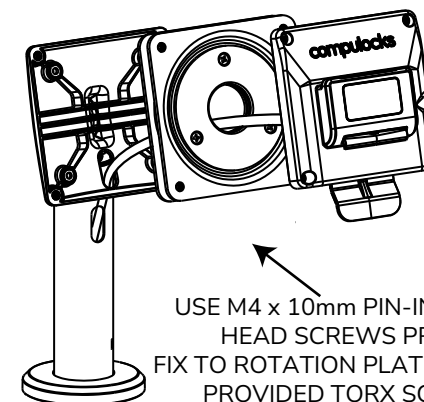
USE M4 x 10mm PIN-IN-TORX  
BUTTON HEAD SCREWS PROVIDED.  
TIGHTEN USING PROVIDED  
TORX SCREWDRIVER

#### 4 Direct Mounting To Wall



MOUNTING SCREWS  
NOT PROVIDED

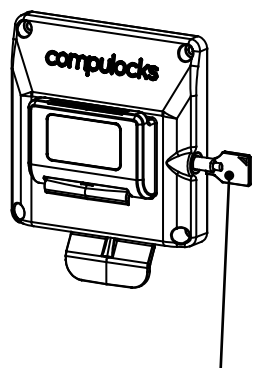
#### Optional Add-On: Portrait To Landscape Rotation Plate



USE M4 x 10mm PIN-IN-TORX BUTTON  
HEAD SCREWS PROVIDED TO  
FIX TO ROTATION PLATE. TIGHTEN USING  
PROVIDED TORX SCREWDRIVER.  
USE SCREWS PROVIDED WITH ROTATION PLATE  
TO SECURE TO STAND or ARM

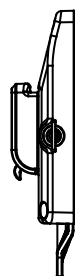
### Placing Tablet with Connector to Dock Station

1



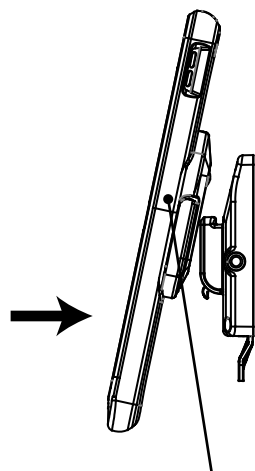
USE KEY TO UNLOCK THE LOCK.  
REMOVE KEY

2



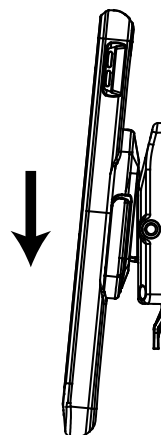
ALIGN CONNECTOR TO DOCK STATION

3

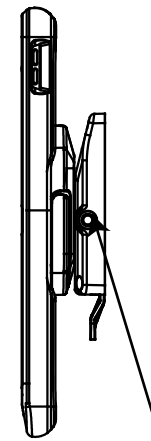


APPLY LIGHT PRESSURE.  
LATCH WILL ENGAGE

4

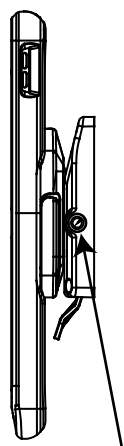


PUSH LOCK BUTTON TO SECURE  
TABLET TO DOCK STATION



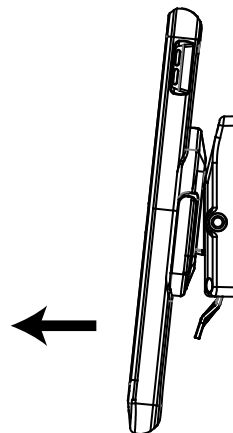
### Removing Tablet with Connector from Dock Station

1



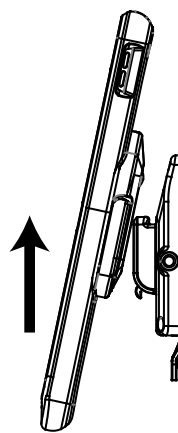
PRIOR TO PULLING LATCH,  
UNLOCK LOCK USING KEY

2



PULL LATCH FORWARD

3



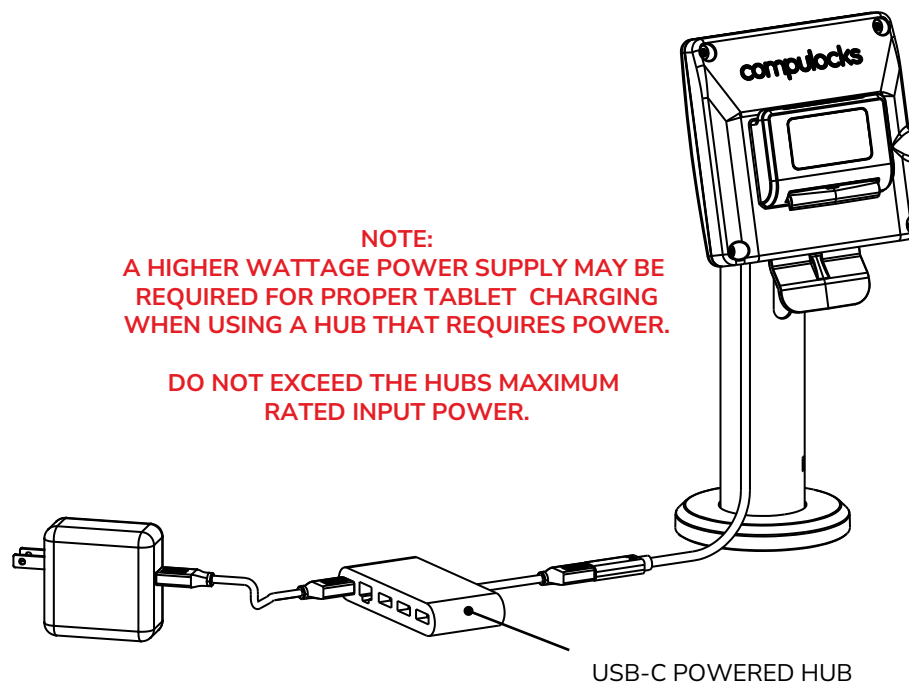
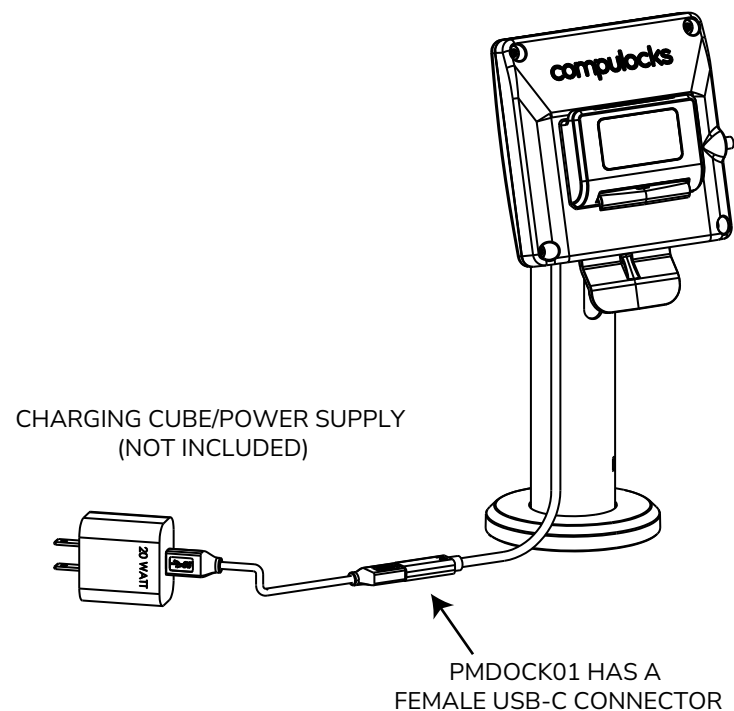
GENTLY PULL UP TO RELEASE

4



Tablet Charge PD Compatible

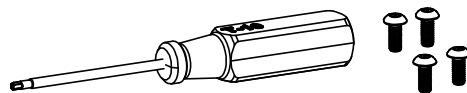
Tablet Data and Charge PD Compatible



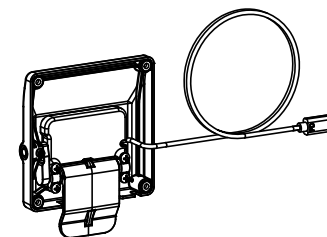
IN THE BOX



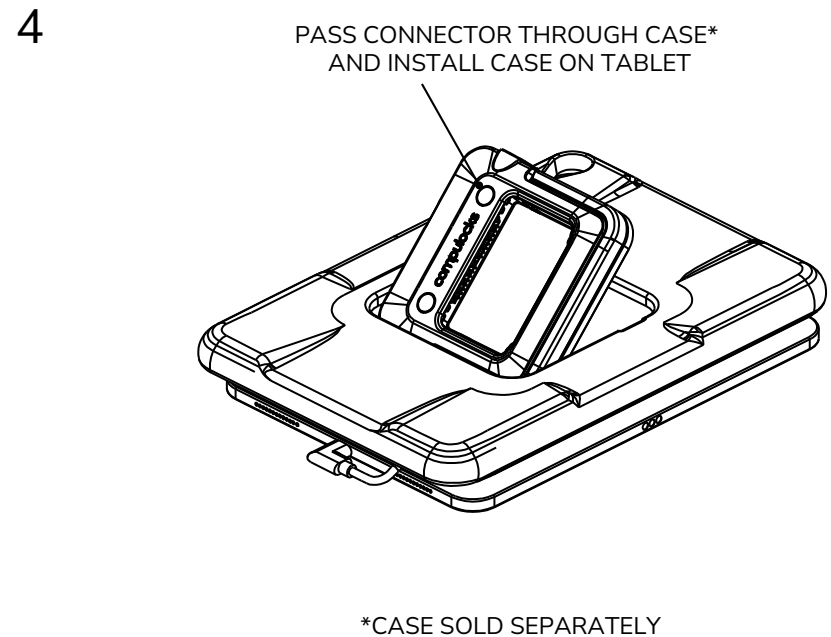
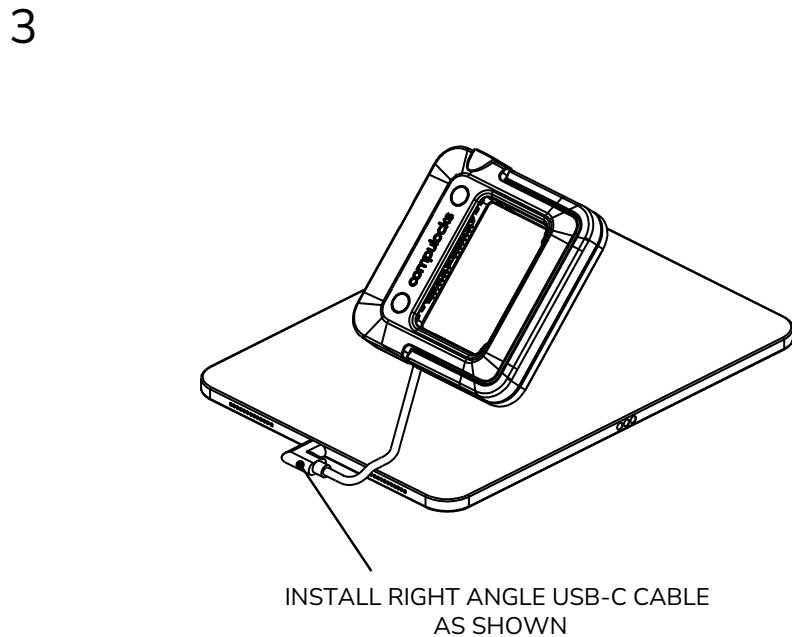
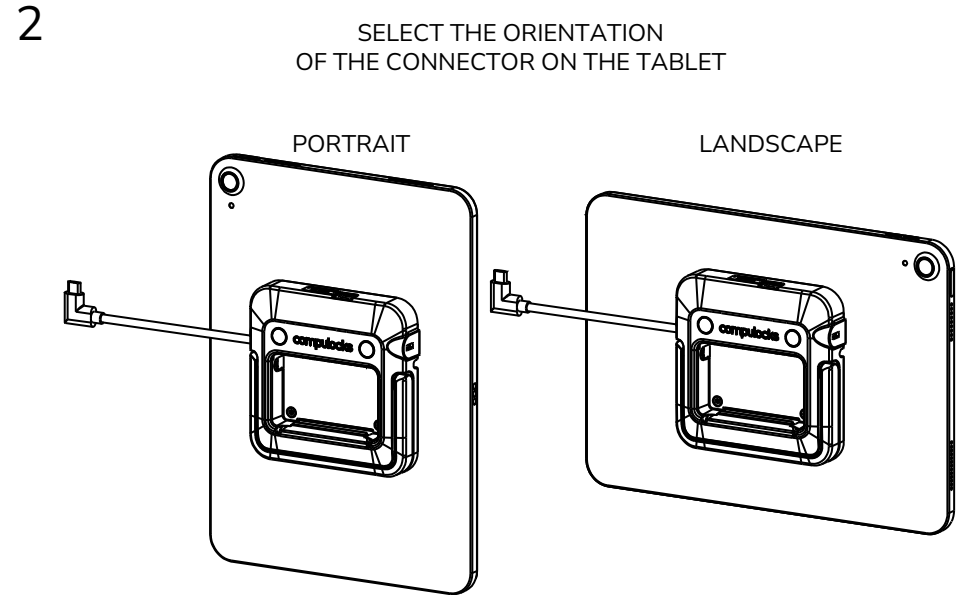
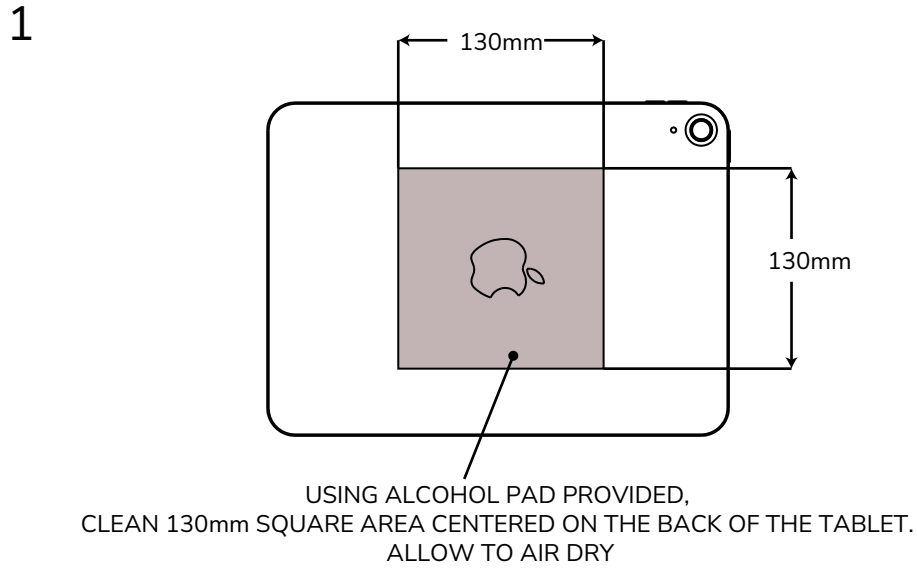
Keys



Hardware Kit



PowerMove Dock Station



5

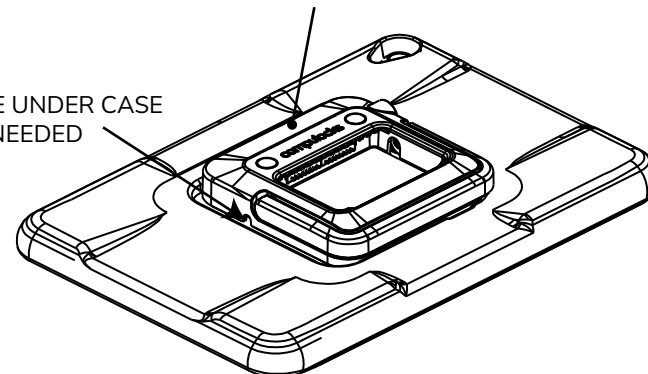
REMOVE COVERS TO EXPOSE  
ADHESIVE ON ALL 4 PADS



6

CENTER CONNECTOR ON OPENING  
IN CASE AND ADHERE TO TABLET WITH MILD PRESSURE

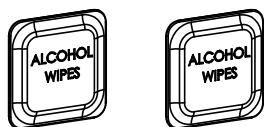
FEED CABLE UNDER CASE  
AS NEEDED



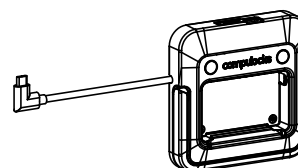
NOTE:  
TABLET AND CONNECTOR SHOULD BE AT  
ROOM TEMPERATURE FOR BEST RESULTS

FOR BEST PERFORMANCE ALLOW  
CONNECTOR TO BOND TO TABLET FOR 12 HOURS.

IN THE BOX



Alcohol Wipes



PowerMove Connector