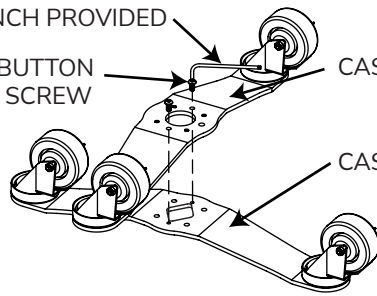


Assembly Instructions

1 PLACE CASTER ASSEMBLY ON FLOOR WITH CASTERS FACING UPWARDS

TIGHTEN USING
TORX WRENCH PROVIDED

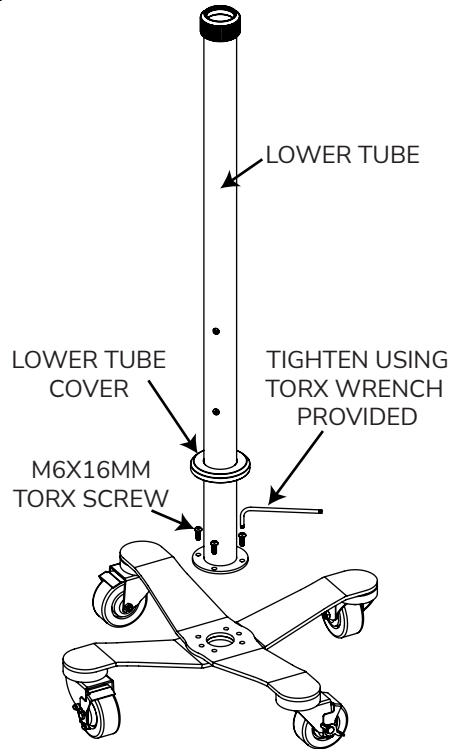
M6 x 12mm BUTTON
HEAD TORX SCREW



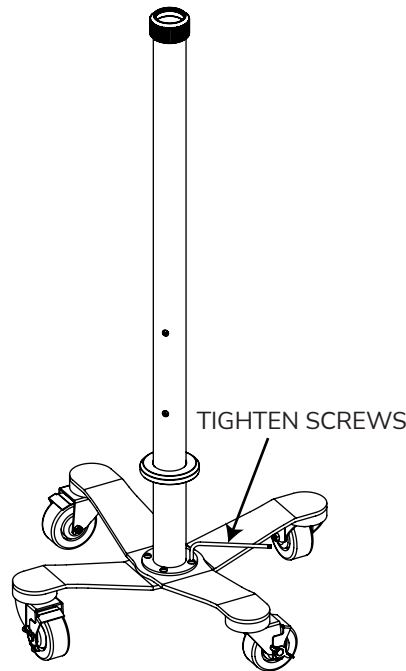
CASTER ASSEMBLY WITH
ROUND HOLE

CASTER ASSEMBLY WITH
SQUARE HOLE

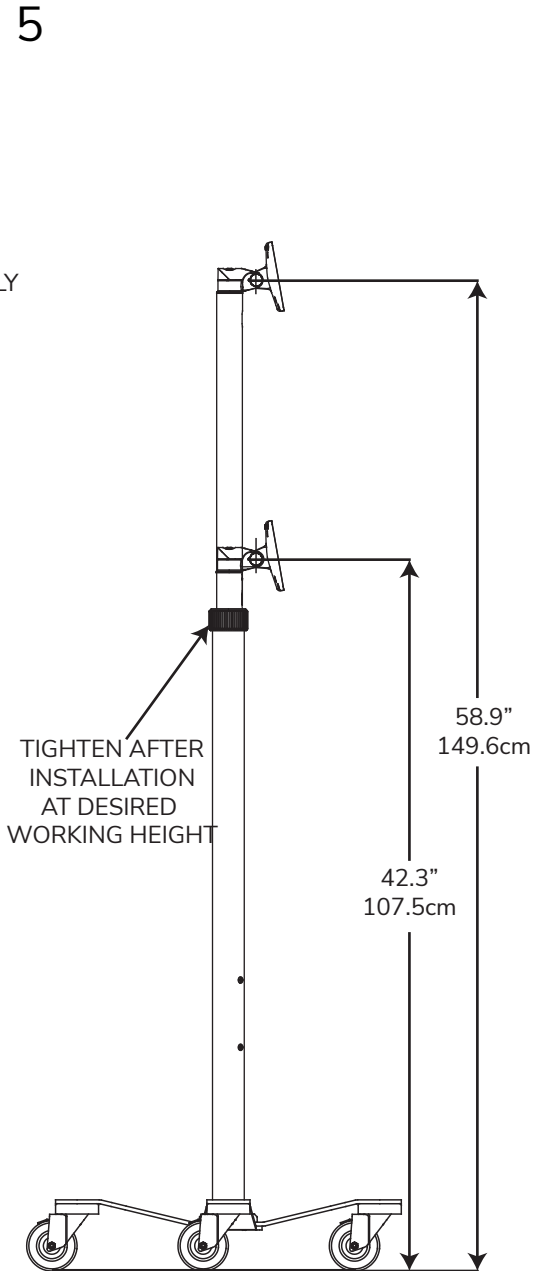
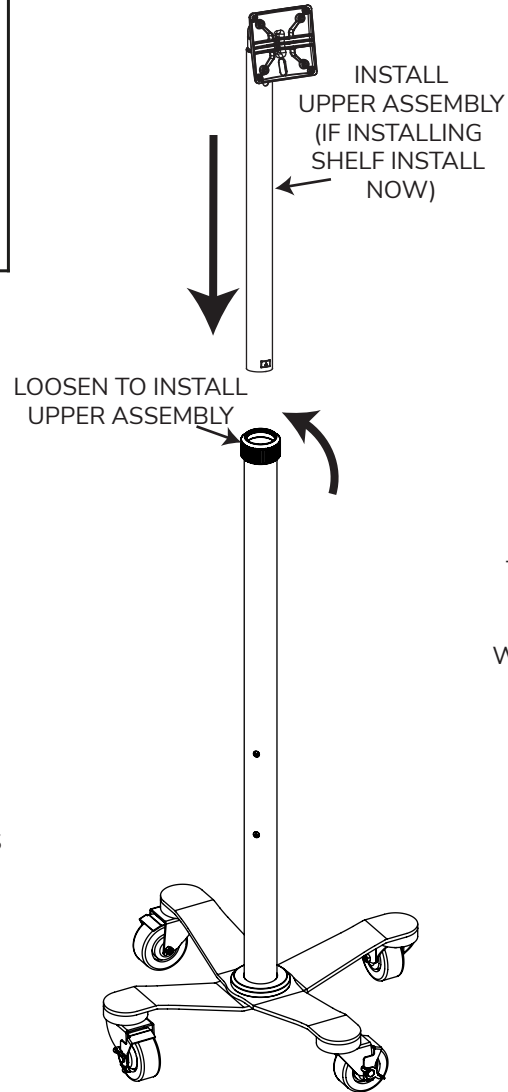
2



3

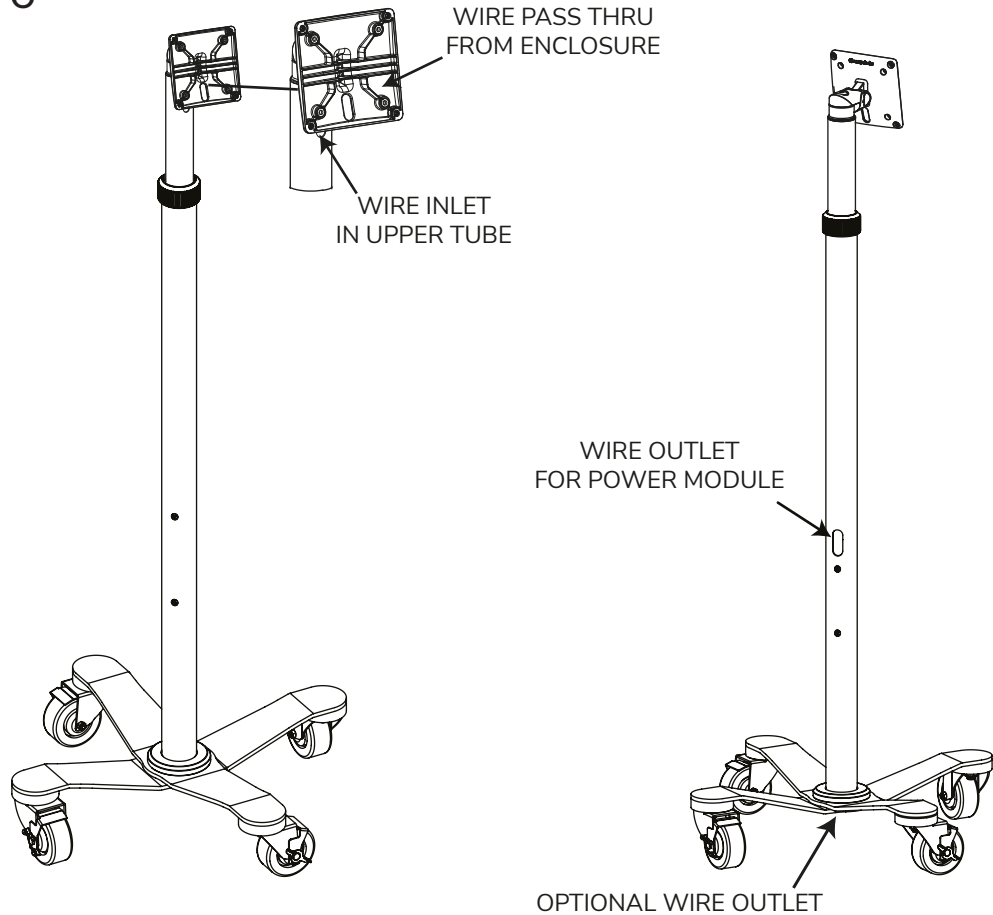


4



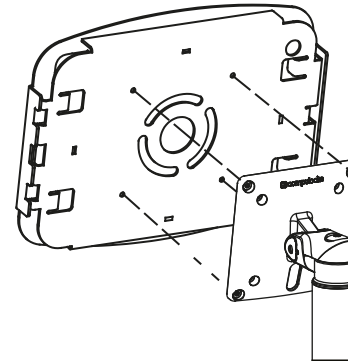
Assembly Instructions

6

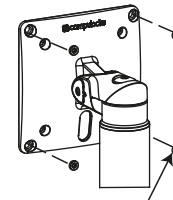


7

INSTALL YOUR TABLET ENCLOSURE AS SHOWN USING M4 SCREWS PROVIDED WITH RISE FREEDOM



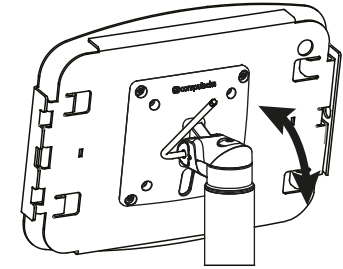
IF MOUNTING TO A MONITOR



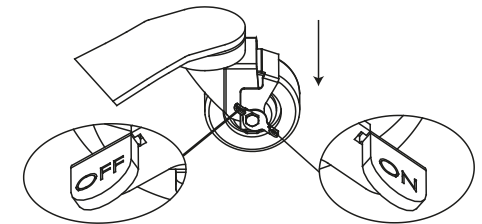
REMOVE M4 PRESS IN NUTS

8

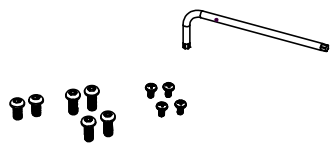
ADJUST TILT / TENSION



LOCKING THE CASTER

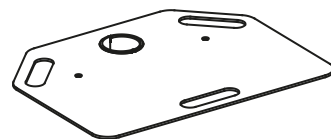


IN THE BOX

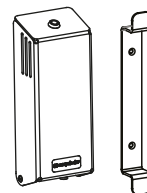


Hardware Kit

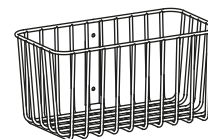
ACCESSORIES



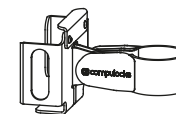
Keyboard / Writing Shelf Kit



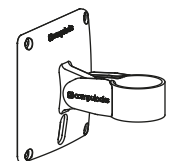
Power Module Kit



Accessory Basket Kit



JBL GO 2 Speaker Bracket



Single Add On Bracket Kit