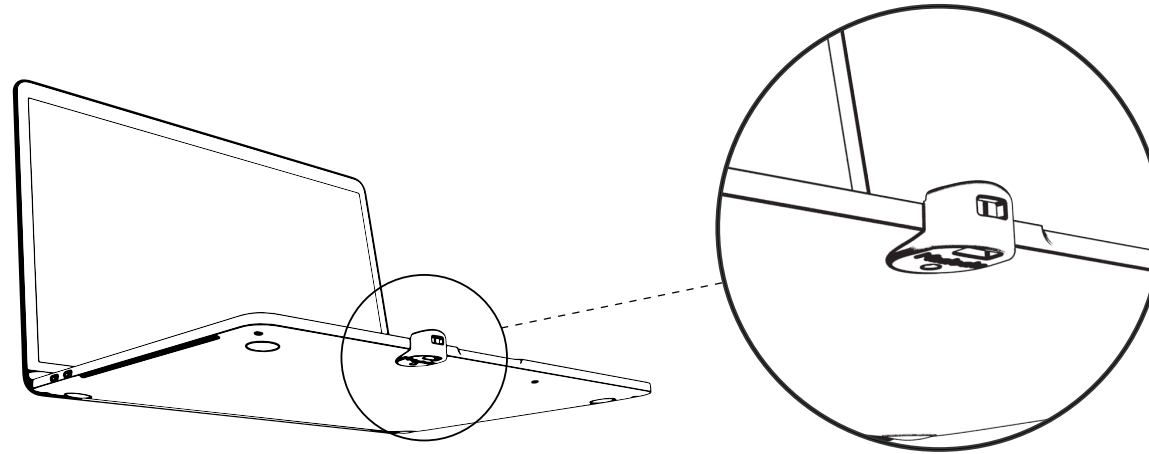
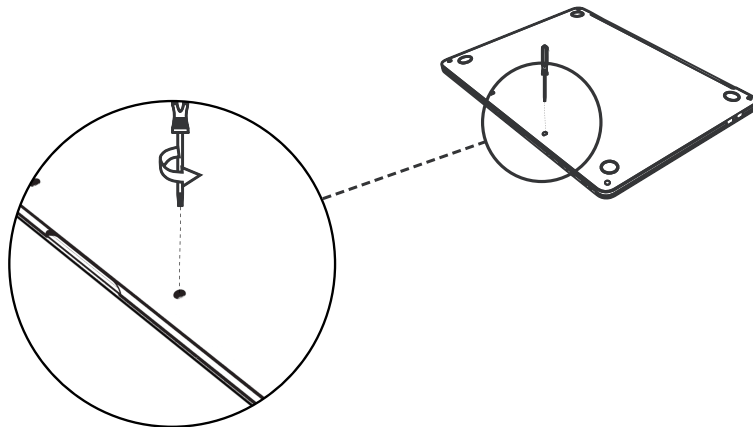


Assembly Instructions



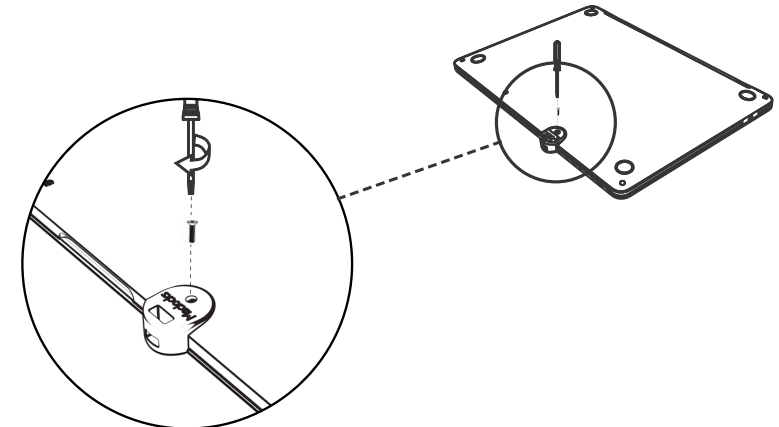
1

REMOVE ONE OF THE TWO FRONTAL SCREWS

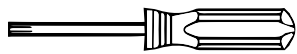


2

ALIGN THE "LEDGE" WITH THE SCREW HOLE AND FASTEN WITH SUPPLIED SCREW



IN THE BOX



Screwdriver



Fastening Screws



"Ledge" Lock Slot Adapter