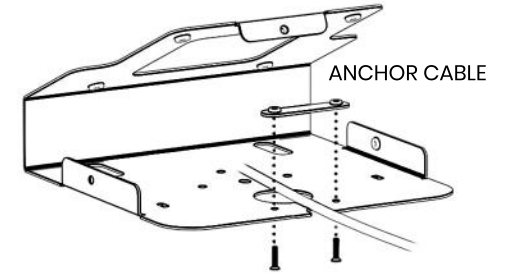
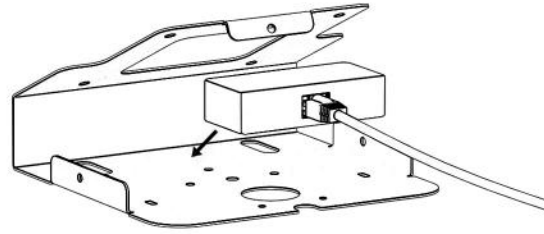
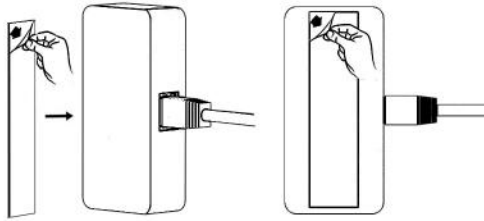


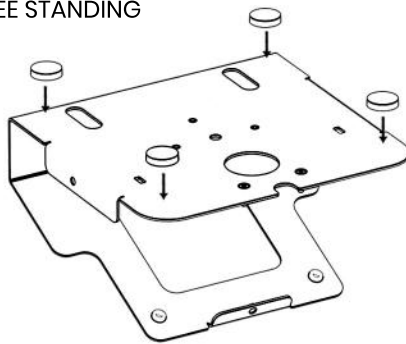
0 IF YOU USE POE

PLACE HERE

1

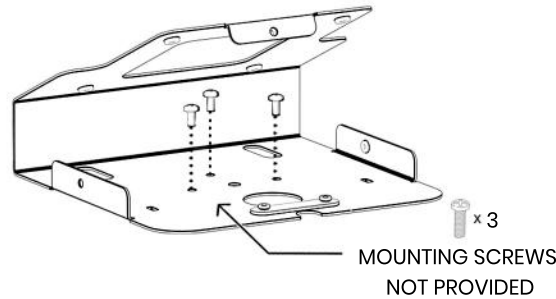


2.1 FREE STANDING



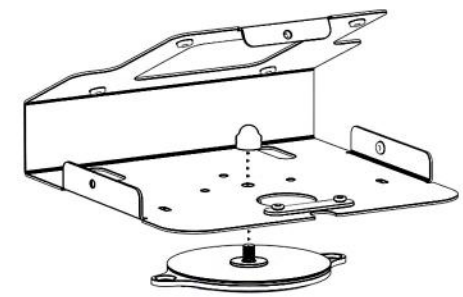
2.2 TABLE MOUNTED

or

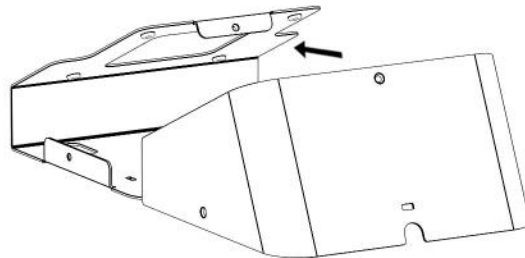


2.3 SWIVEL BASE (optional add on)

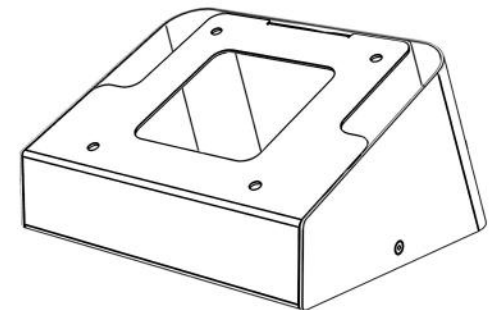
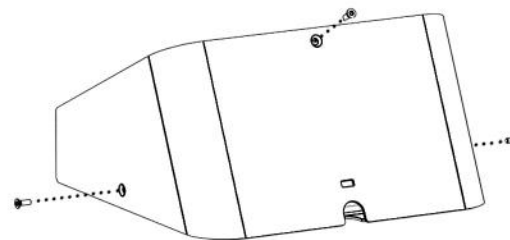
or



5



6



IN THE BOX



Screwdriver



Tamper proof screws



Enclosure mounting screws

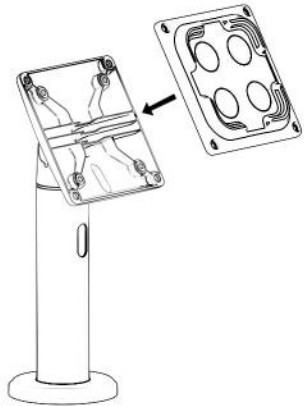


Tape-double sided

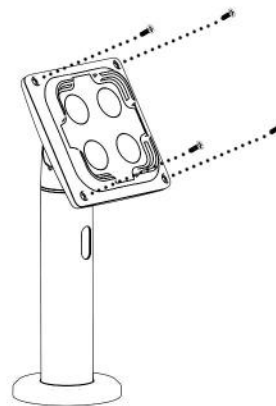


Bumper legs pack

1



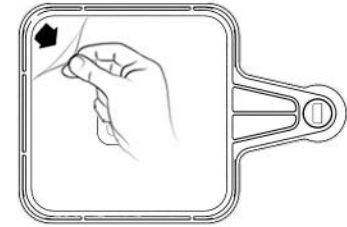
2



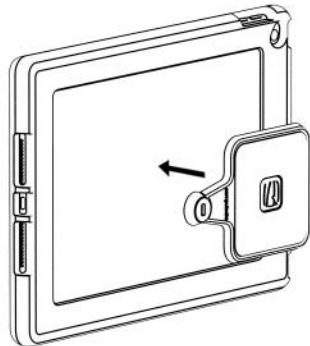
VESA 100*100



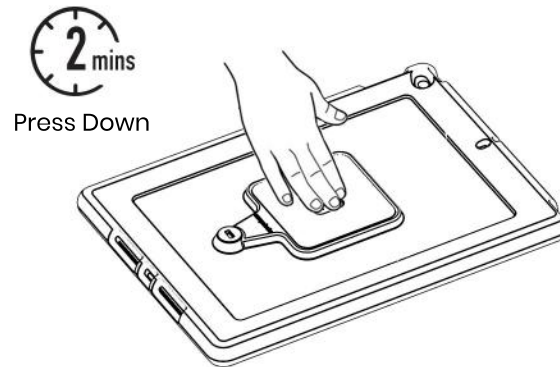
3



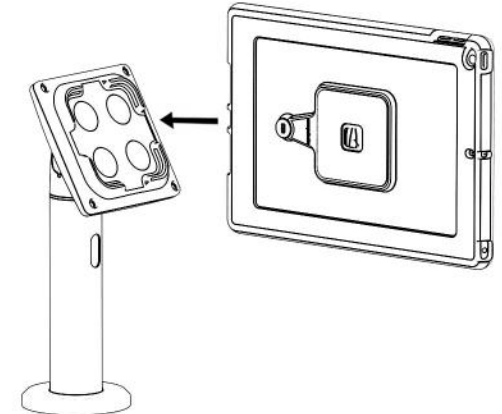
4



5



6



Fits Vesa 100*100 Mount Stands

