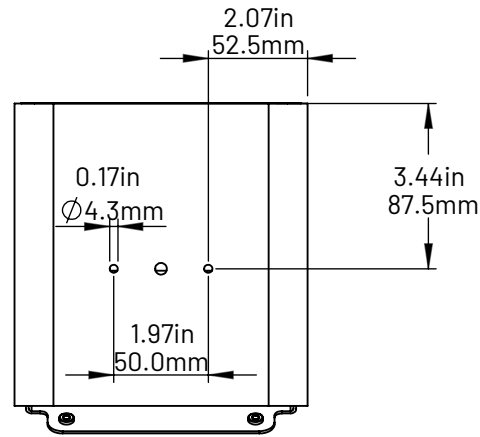
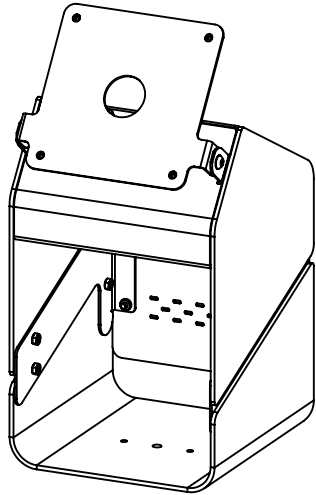


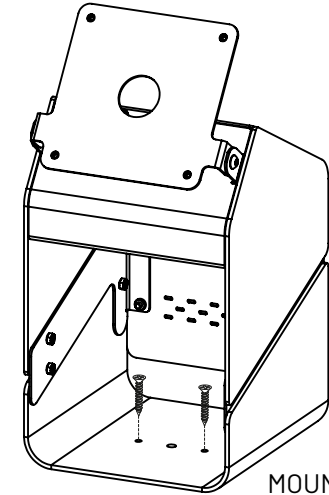
1 Free Standing

or

Counter Mounting



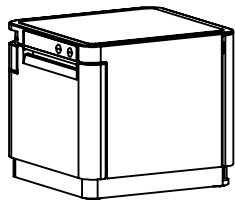
COUNTER MOUNTING PATTERN



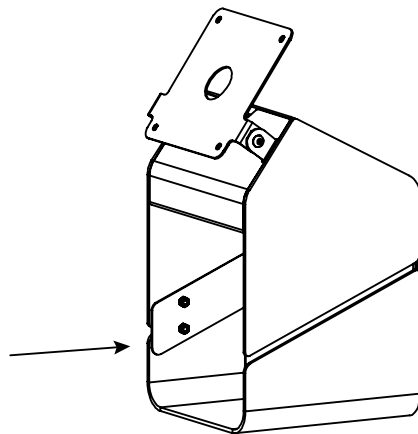
MOUNTING SCREWS NOT PROVIDED

2

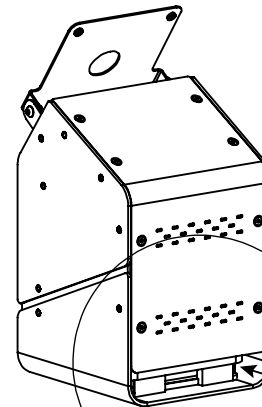
INSERT PRINTER



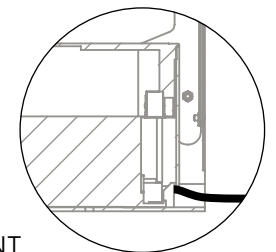
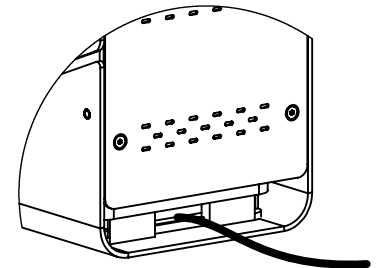
PRINTER NOT INCLUDED



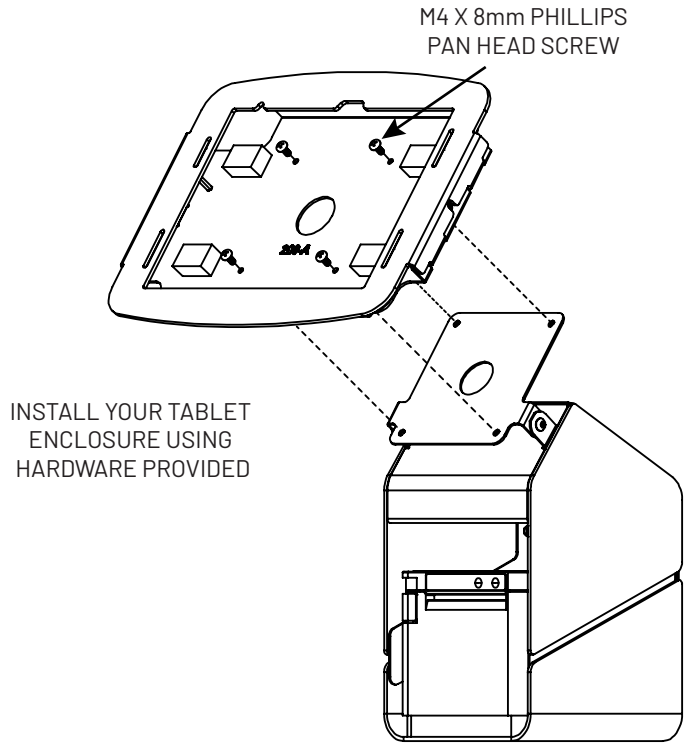
3



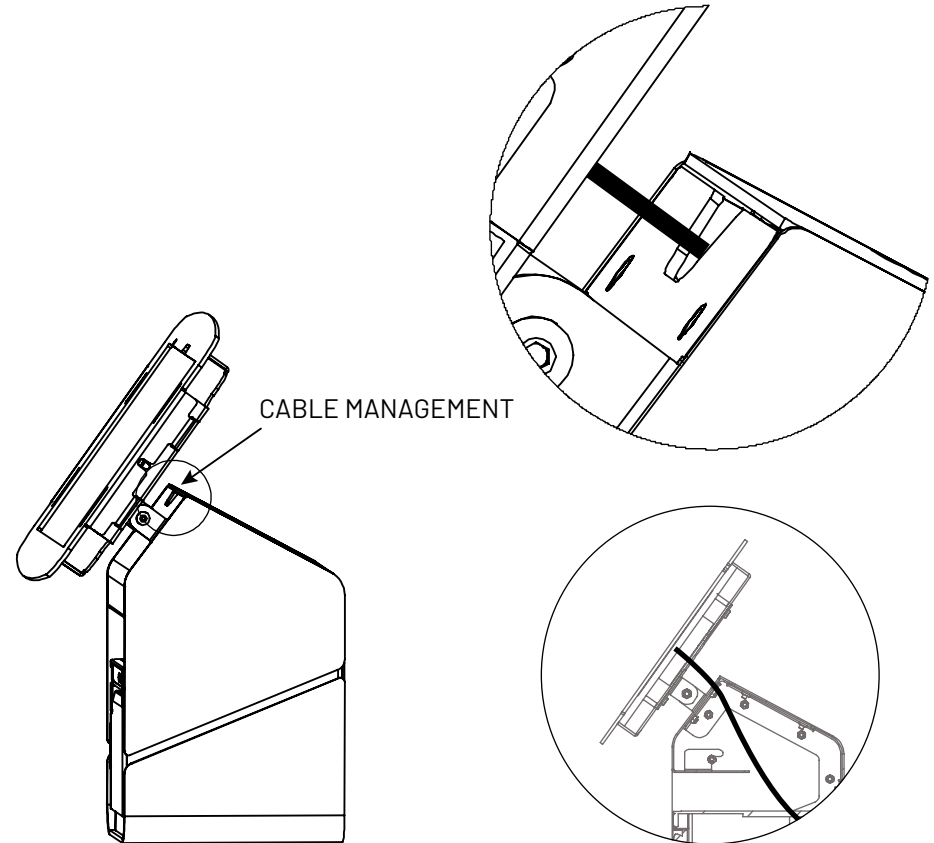
CABLE MANAGEMENT



4



5

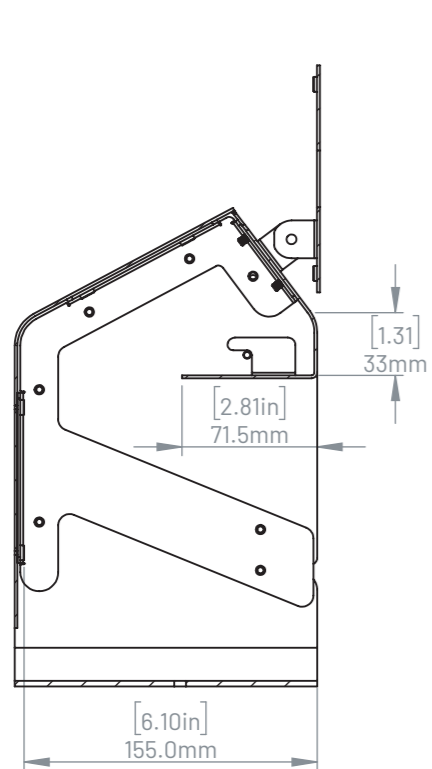
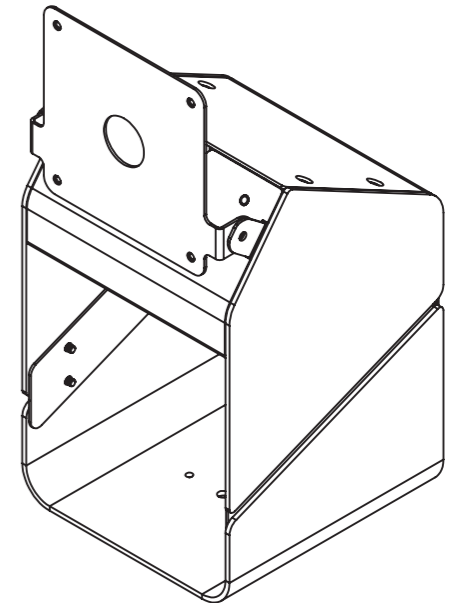
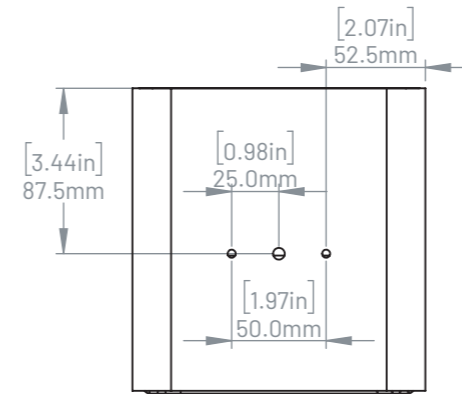
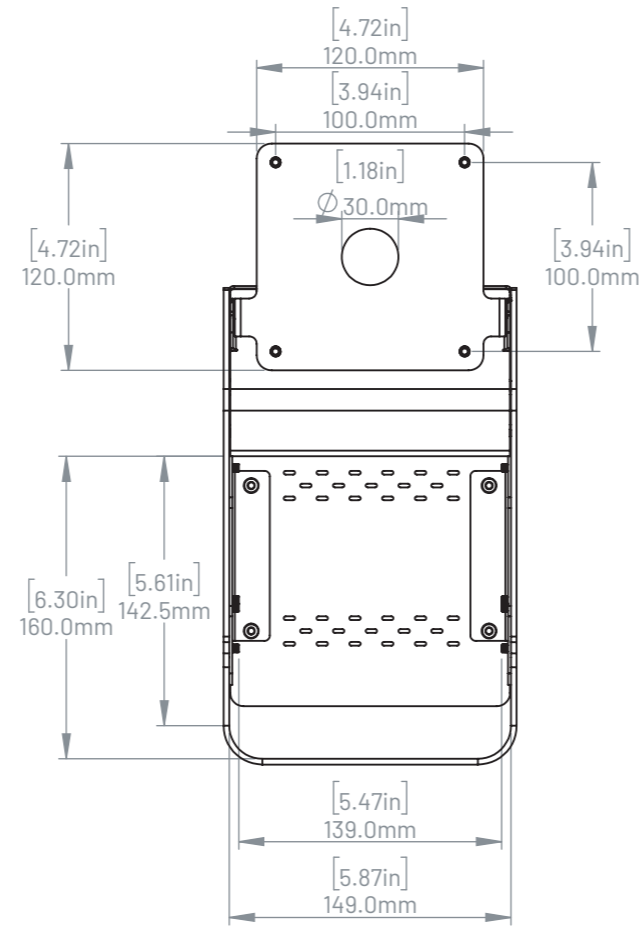
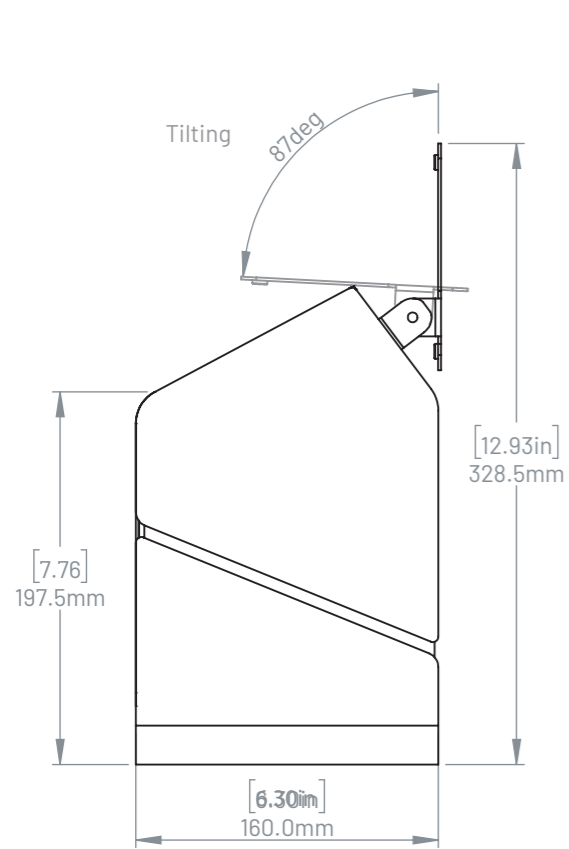


SKU
PK01

Weight

Date
23.10.23

Version
REV C



SECTION A-A
SCALE 1:4

